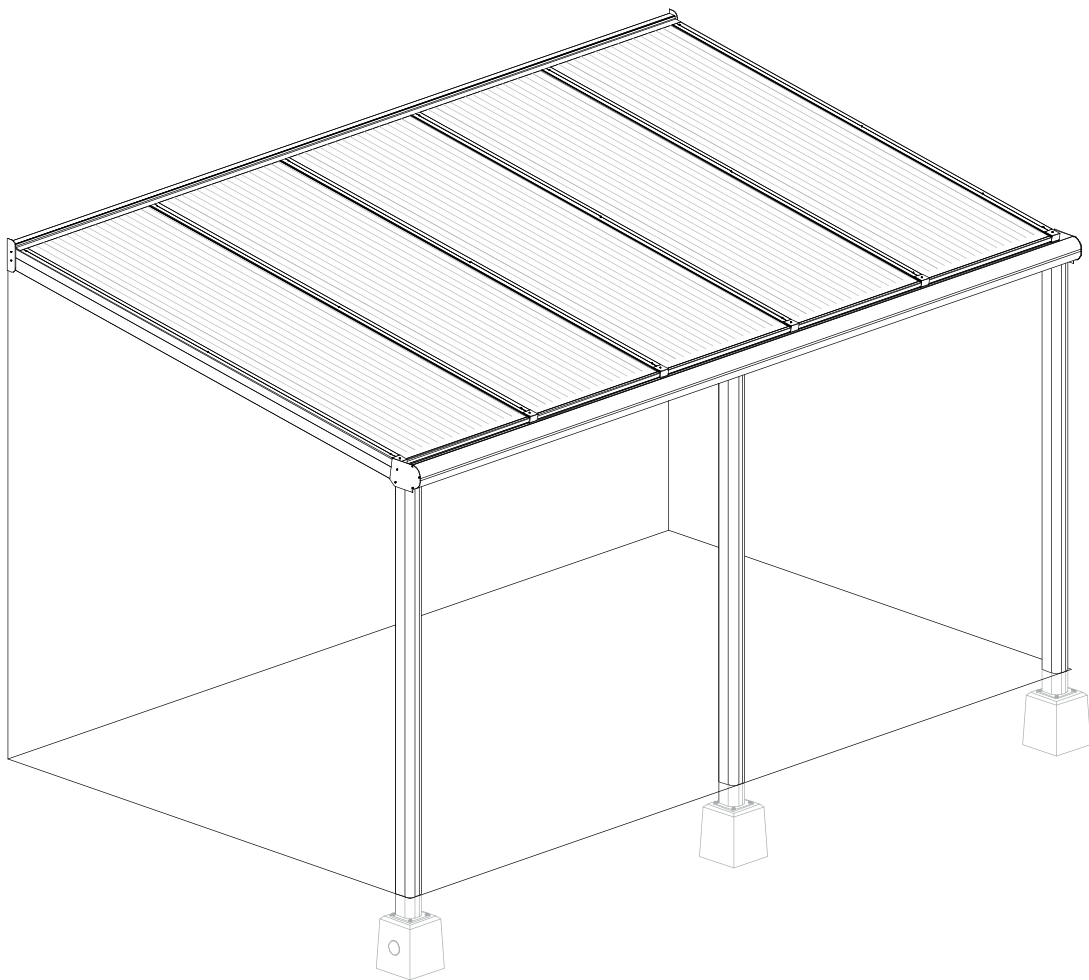




Operating / Assembly instructions Deponti Veranda

Type Bosco





Contents

1. Introduction.....	3
2. Safety precautions and warnings	3
3. Product description.....	5
4. Parts overview	6
4.1 Exploded view	6
4.2 Delivery inspection.....	6
4.3 Parts list	7
5. Preparation for assembly	9
5.1 Conditions for assembly	9
5.2 Inspection of tools and accessories	11
5.3 Measuring & determining dimensions	12
5.3.1 Height adjustments	13
5.3.2 Projection veranda	13
5.4 Joining verandas	14
6. Assembly	16
6.1 Mounting the wall profile	16
6.2 Pre-assembly of the gutter	18
6.2.1 Installing the leaf catcher in the gutter.....	18
6.2.2 Attaching the decorative profile to the gutter	19
6.3 Installing posts, gutter and side beams.....	20
6.3.1 Positioning posts on Concrete bases	20
6.3.2 Installing the gutter	22
6.3.3 Installing the end beams.....	23
6.4 Installing the middle beams	25
6.5 Preparing and installing the roofing sheets.....	28
6.6 Finishing.....	32
7. Maintenance	36
8. Disposal of waste	36
9. Warranty conditions	36
10. Contact.....	36

This manual should be kept for future use!

For the duration and conditions regarding warranty, we recommend contacting your Deponti partner. We also refer to our General Terms and Conditions of Sale and Delivery, which are available on request. Deponti B.V. declines all responsibility for damage or injury resulting from not following these instructions carefully and not taking the usual precautions during transport, assembly, use and maintenance of the veranda. As a result of constant striving for improvement, the product may deviate in detail from what is described in these instructions. For this reason, the instructions given serve only as guidelines for installing the product mentioned in this manual. However, Deponti B.V. cannot accept responsibility for any errors in this manual or the consequences thereof. Furthermore, all rights are reserved and no part of this manual may be reproduced in any manner whatsoever



1. Introduction

The Bosco. Our *signature dish!*

Your customer wants to enjoy his or her veranda as soon as possible. We understand that like no other. To achieve this, it is important to assemble it carefully. That is why this manual guides you step-by-step through the assembly process. This way, you can install the veranda as easily as possible. We advise you to read this manual as thoroughly as possible before starting the assembly. Then you will not be confronted with any surprises.

Before starting assembly, check that all required parts are supplied. And for your safety, observe the applicable regulations. This way, you also guarantee the safety of the installed veranda. If you have any questions, please do not hesitate to contact us.

Keep this manual in a safe, dry and shaded place. In case of damage or loss, request a new copy of the manual from Deponti.

2. Safety precautions and warnings

Important:

Before starting the veranda assembly process, read the safety precautions and warnings.

- During assembly, carefully follow the instructions and guidelines described in this manual. Never change the order in which operations are performed. If anything is unclear regarding Assembly: please contact Deponti. Technical changes reserved without written notification.
- We recommend assembly of the veranda by 2 people (qualified technicians / authorised installers) as standard.
- Please check the delivery immediately upon receipt. In the event of damage or an incomplete delivery, please contact Deponti immediately.
- Materials should be stored in a dry, ventilated area, not exposed to direct sunlight.
- Open the packaging carefully. Take care not to damage the product.
- Place the parts on a soft and clean surface. Place the profiles on a flat surface. Avoid bright sun or rain. This will prevent damage to the veranda
- The addition or omission of components, or the processing of materials other than as prescribed may adversely affect the safety of the veranda. We strongly discourage this!
- Secure the mounting location with safety tape to keep third parties at a distance.



-
- Always wear appropriate protective clothing (work gloves, dust mask, safety glasses, non-slip shoes, etc.) when carrying out the work.
 - Always place a ladder on a firm, stable surface.
 - Mount the system against a solid and level wall and on a flat stable foundation or stone ground. Make sure wall and ground are clean and dry.
 - If there is a version with polycarbonate sheets: Never stand or walk on these polycarbonate sheets! The polycarbonate sheets are strong, but not sufficiently resistant to point loads.
 - Make sure all fasteners are tightened properly. Check this regularly.
 - Make sure you have waterproofed the veranda.
 - We recommend maintaining and cleaning this veranda at least once a year.
 - Dispose of the product in accordance with local laws and regulations.
 - Deponti B.V. accepts no liability for damage or injury caused by not (strictly) observing the safety regulations and instructions in this manual, or by negligence during assembly, use and maintenance of the product and any accessories. Deponti B.V. is not responsible for any damage.



3. Product description

The aluminium veranda type Bosco consists of the following parts: posts, gutter profile, wall profile, posts, polycarbonate roofing sheets, cover strips and the necessary assembly materials.

Round or Classic gutter covers and Half-round or Square posts can be chosen as standard.

The Deponti veranda Bosco is available as standard in a width of 4060, 5060 6060 or 7060 mm in one piece. It is possible to infinitely interconnect the Bosco using a gutter connector. The veranda can have a projection of 2500, 3000, 3500, 4000 or 6000 mm.

Details

Gutter	Round / Classic
Posts	Half-round / Square
Colours	Creme White (RAL9001) / Traffic White Textured (RAL9016) / Antracite Textured (RAL7024) / Black Textured (RAL9005)
Roofing	Roofing polycarbonate (Clear / Ultra-clear / Opal / Solar control)
Width (mm)	4060 / 5060 / 6060 / 7060 or a multitude thereof.
Projection (mm)	2500 / 3000 / 3500 / 4000 / 6000*

* A Bosco with a projection of 6000 mm is only available with Opal or Clear polycarbonate. The beams must be sufficiently reinforced to realise the Projection.

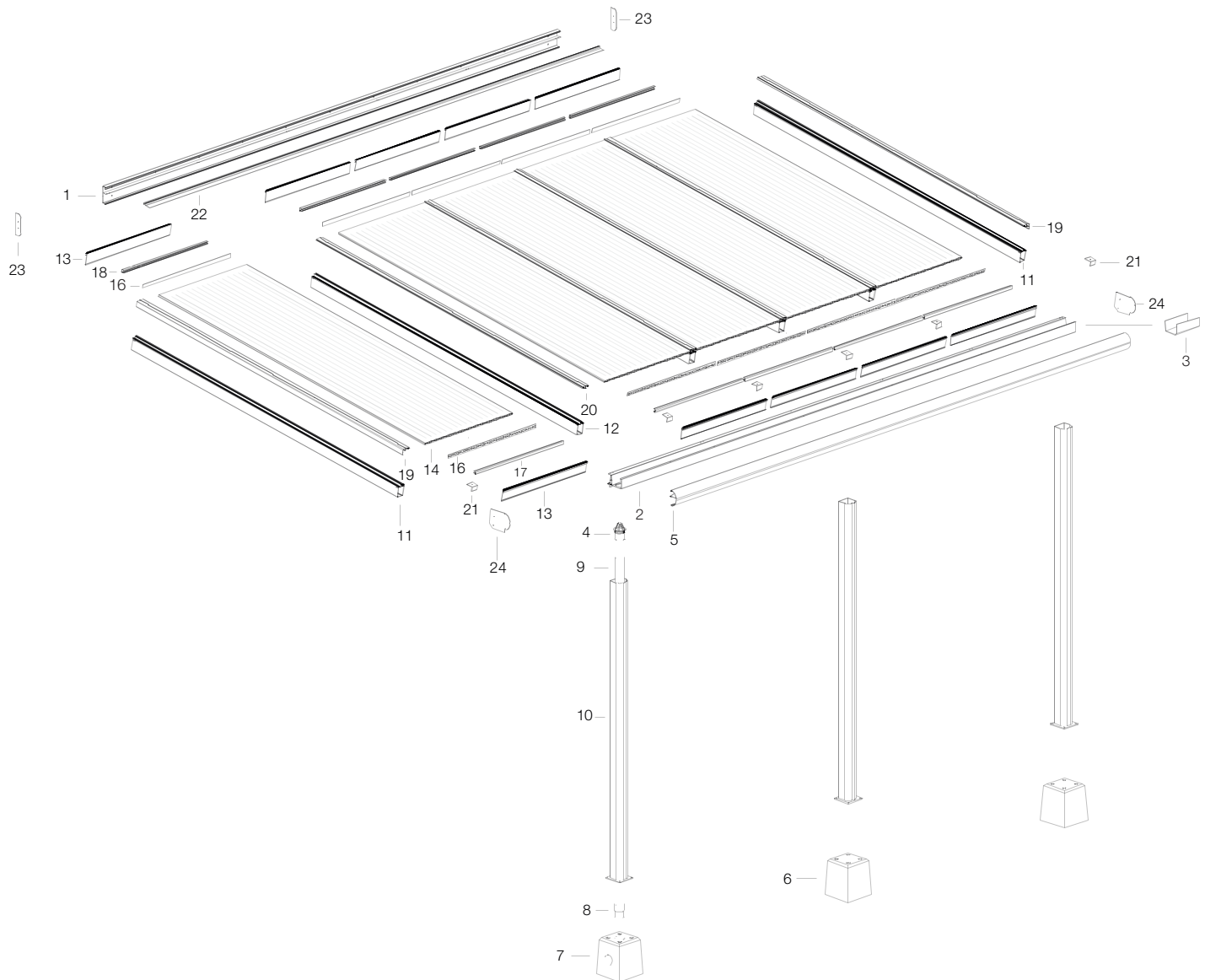
A Deponti veranda can be installed on any existing foundation or stone base provided it is adequate. Concrete bases can optionally be used for extra sturdiness or if a good foundation is lacking. Concrete bases can be easily installed under the posts using the bolts provided.

Concrete bases are available without or with connections for rainwater discharge.



4. Parts overview

4.1 Exploded view



4.2 Delivery inspection

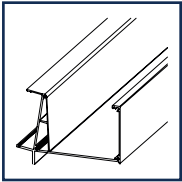
Good to know: This manual shows a Bosco veranda with example size 5x3m, with the posts on Concrete bases. This example is only illustrative. The type and number of components supplied depend on your order.

Note: Always check the delivery note of the delivered parts carefully for quantity and quality. Any visible defects should be reported in writing within 7 days of delivery.

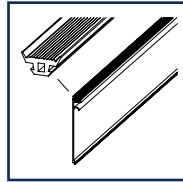


4.3 Parts list

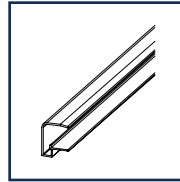
Below we show which parts are packed together. Use the order form to check the quantity and quality of the parts delivered per package.



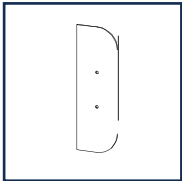
02. Gutter profile



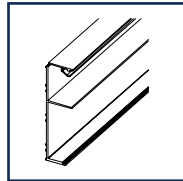
13. Finish cover



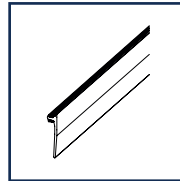
17. Condensation profile long
18. Condensation profile, short



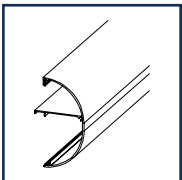
23. Side cover wall profile



01. Wall profile

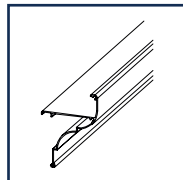


22. Rubber seal wall profile

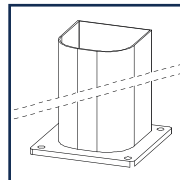


05. Round gutter cover

or

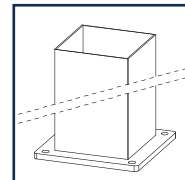


05A. Classic gutter cover

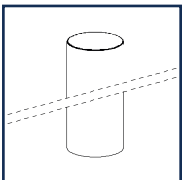


10. Round post with or without base plate

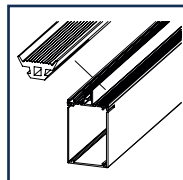
or



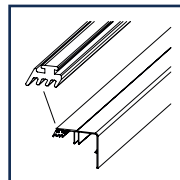
10A. Posts Square with or without Base plate



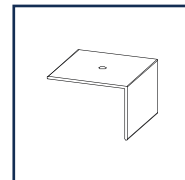
09. Rainwater discharge
Tube ø80mm



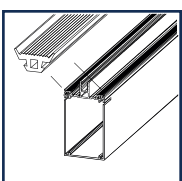
11. Side beams
1x sealing rubber



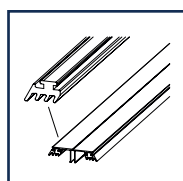
19. Side cover strip
1x sealing rubber



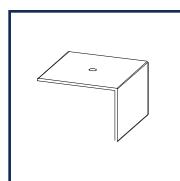
21. Sheet stopper



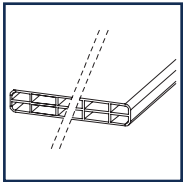
12. Middle beam
2x sealing rubber



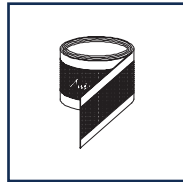
20. Cover frame
2x sealing rubber



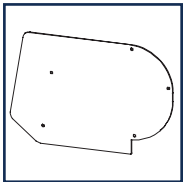
21. Sheet stopper



14. Polycarbonate Plate 980mm

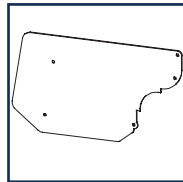


16. Anti dust tape (Perforated)

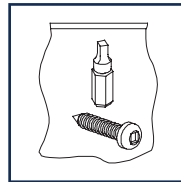


24. Side covers round gutter profile

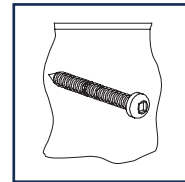
or



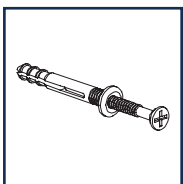
24A. Side cover gutter profile Classic



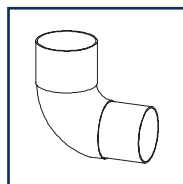
1x bag of screws short 4.2x16 + Bit



1x bag of screws long 4.2x40

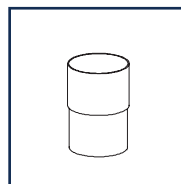


1x Set of frame fixing screws (Option)

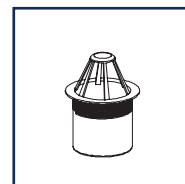


08. 90° rainwater discharge sleeve

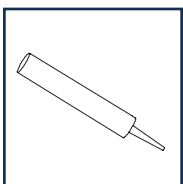
or



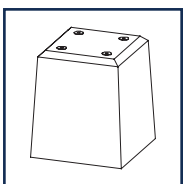
08A. Rainwater discharge sleeve (Optional)



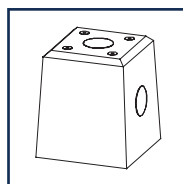
04. Leaf catcher



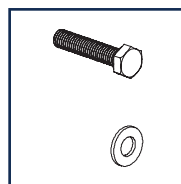
1x sealant on Colours



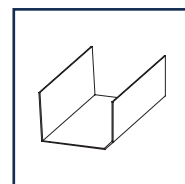
06. Concrete base (optional)



07. Concrete base with rainwater discharge (Optional)



Hex bolt M8x40
Body ring (Concrete base option)



03. Gutter connector (Option)



5. Preparation for assembly

5.1 Conditions for assembly

- Note: The optimum sealant processing temperature is +5°C to +40°C.

Surface & facade

- Provide a good flat stable surface for the erection of this veranda.
- The location where the veranda is to be installed must be ready for construction and free of obstacles (garden furniture, flower boxes, etc.) so that fitters can carry out their work unhindered.
- The subsoil should be clear of obstacles such as NUTS pipes (such as power cables, etc.), roots and debris.
- The facade should be free of blinds etc.
- The place where the wall profile will be placed should be solid, level and flat.

Dimensions & slope

- This Deponti veranda should be installed with a slope of 15.7 cm per metre. The height of the wall profile and the passage height (height under gutter to ground) are fully interdependent and determined by this slope.
- The maximum span of this Deponti veranda is 4 metres. Please observe the regulations regarding maximum free span and the number of posts to be used (see page 14).

Posts & linked verandas

- The maximum dimension between posts is 4 metres (see page 14).
- For coupled verandas, there will always be a post under the coupling.
- Water drainage cannot be placed in a post above which gutters are connected.

Assembly at walls

- Due to the expansion of the materials, the veranda should not be placed tightly between two walls. A clearance of 1.5 mm per metre width of the veranda should be maintained.
- When using Concrete bases, posts cannot be placed against the wall due to the extra width of the base in relation to the posts.
- If you want to place a post against a wall, saw off the flange on one side and drill 2 new holes in the flange so that you can fix the post in four places.



Screws and drills

- For this veranda, Deponti supplies special screws 4.2x19mm and 4.2x40mm made of stainless steel.
- Note: Pre-drill each screw with a 3mm drill bit!
- Note: Never drill and screw through the PVC rainwater discharge pipe in one of the posts.

Sealant

- The sealant supplied has been specially selected for watertight sealing of aluminium to aluminium or to most materials common in construction such as walls, concrete, etc. For this, follow the instructions on the tube.
- Note: This sealant is not suitable for sealing polycarbonate sheets. Should you still want to seal these sheets because, for example, you have a rainwater discharge (rain pipe) running through them, we have special transparent sealant in our Deponti range.

Rubbers

- A Deponti veranda is equipped with pre-fitted colour-matched rubber seals as standard. Before assembly, the rubbers of both the aluminium cover strips and the rubbers of the beams should be cut to size.
- Should the rubber seals be deformed, they can easily be made straight again with some heat, e.g. a hot air fan or hair dryer.

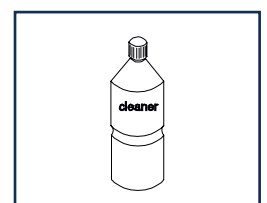
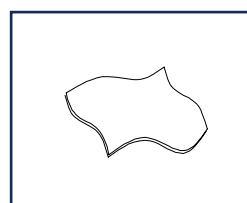
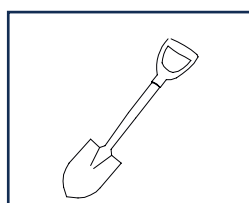
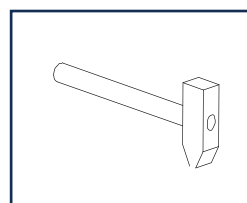
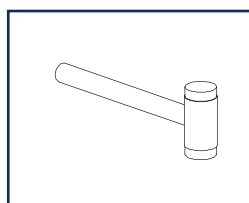
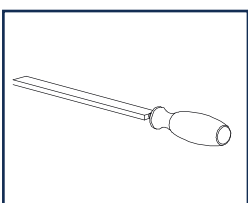
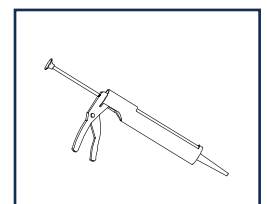
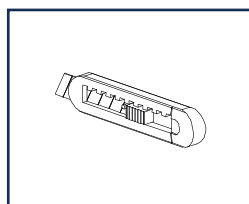
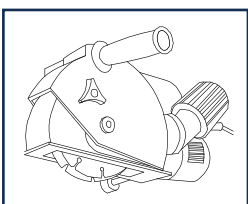
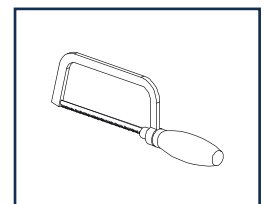
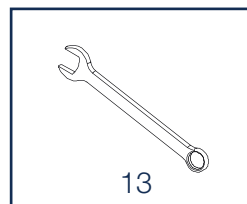
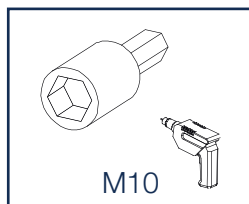
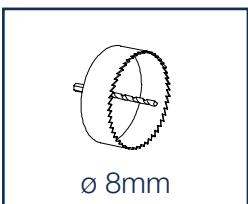
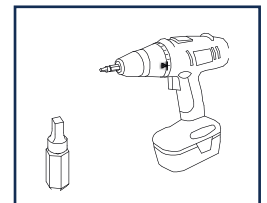
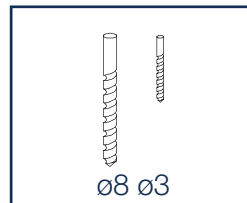
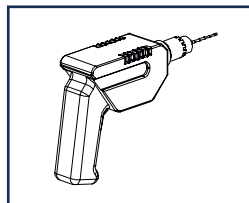
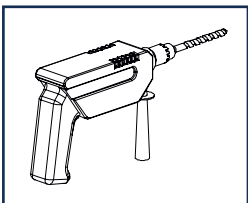
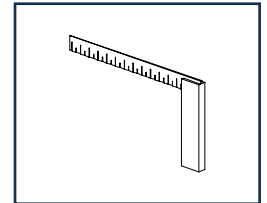
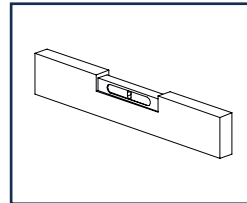
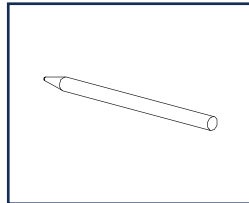
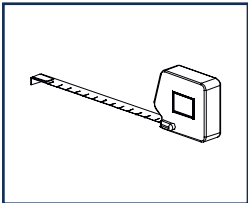
Remove protective film

- We recommend removing the protective film from the aluminium components and roofing sheets last. This prevents possible damage. However, when installing the roofing sheets, the edges of the protective film should be pulled a few centimetres towards the centre of the sheet. This prevents the foil from getting stuck in the profiles. In such a situation, it is difficult to remove the foil.

Please note: The warranty will be void if the Bosco veranda by Deponti is not assembled and installed in accordance with the guidelines.

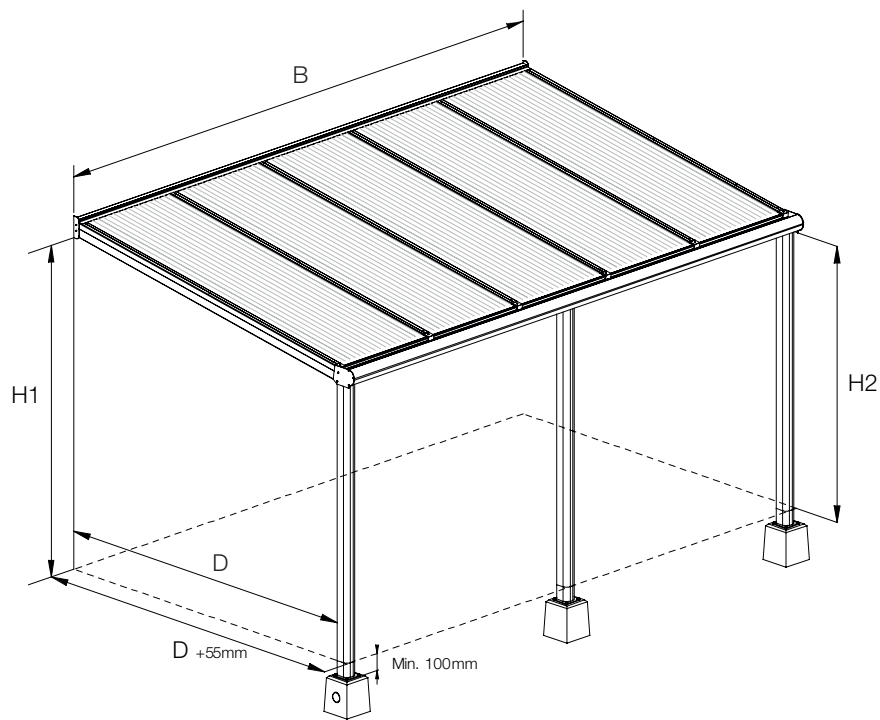


5.2 Inspection of tools and accessories

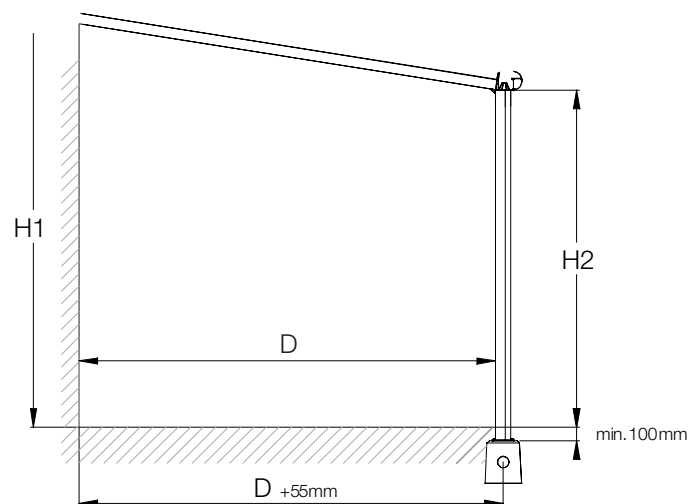


5.3 Measuring & determining dimensions

A Deponti veranda is available in a wide range of sizes. Thereby, the veranda is modular and can be quickly and easily customised if required. Please note, however, that our current and future modular options are based on standard dimensions. If this veranda is not installed according to standard dimensions, the options must also be made to measure.



- B: Length of wall profile, gutter profile and decorative profile.
- H1: Height from ground to bottom of wall profile.
- H2: Height from ground to bottom of gutter profile (= headroom).
- D: Distance from rear wall profile to inside of posts.
- D + 80mm: Distance from rear wall profile to centre of rainwater discharge.





5.3.1 Height adjustments

A Deponti veranda stands ideally with a slope of 15.7cm per metre. On that, in addition to the static strength calculations, all sizes and dimensions are calculated in this manual.

The height of the wall profile and the headroom (height of the underside of the gutter to the ground) are completely interdependent and determined by this slope. However, these heights are very easy to adjust while maintaining the slope.

If this veranda is installed according to the standard sizes, you can use the size chart below.

Projection veranda	Sleeper length (mm)	Distance from rear wall profile to inside of post (D)	Bottom height gutter profile (H2)	Bottom height wall profile (H1)
2.5 metres	2470	2443	2500	2886
3 metres	2970	2937	2500	2964
3.5 metres	3470	3431	2500	3042
4 metres	3970	3924	2500	3120
6 metres	6000	5929	2500	3438

Should you choose to lower the wall profile or lower the gutter's clearance height, proceed as follows: You subtract the number of centimetres you go down from both equally. So if the wall profile hangs 30cm lower, you also shorten the posts by 30cm.

If a lower headroom is desired, you can easily shorten the length of the posts at right angles. Make sure the wall profile is also fixed to the wall with the same reduction. Installing the wall profile lower on the wall? Then the same applies.

Calculation example

There is a veranda with a projection of 3 metres. In this situation, you want to reduce the standard headroom from 2500mm to 2200mm.

- So either shorten the posts 300mm or place the posts 300mm into the ground, bringing the bottom to a gutter height of 2200mm.
- The wall profile must therefore also be lowered by 300 mm.
- This means that the underside of the wall profile should therefore be placed at $2989\text{mm} - 300\text{mm} = 2689\text{mm}$.

5.3.2 Projection veranda

The projection size of a Deponti veranda is approximate. The exact dimension from the rear wall profile to the inside of the post can be found in the table on this page. Example: A 3-metre projection veranda is not exactly 3 metres. Check the table above for exact dimensions in millimetres.



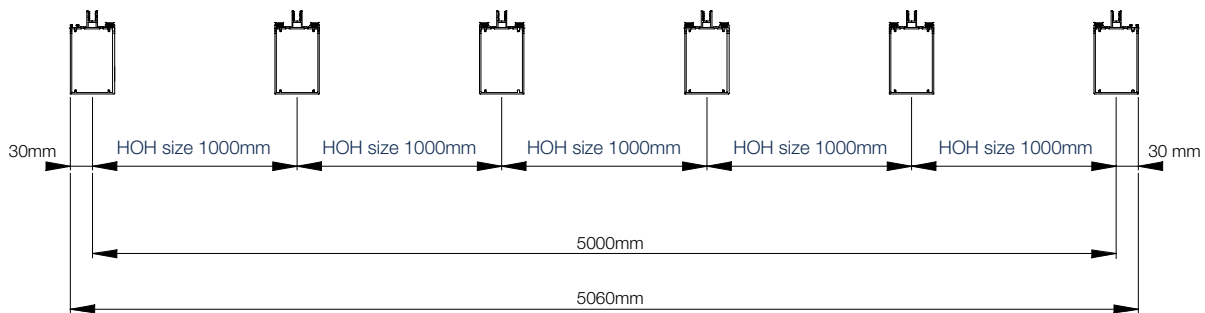
5.4 Joining verandas

Deponti verandas can be supplied in infinite width sizes. This is done by Joining verandas in width.

The gutter, wall and gutter cover profiles are then supplied in multiple lengths of 4060, 5060, 6060 or 7060mm.

The centre-to-centre distance of the beams of a Deponti veranda is 1000mm (1 metre).

A veranda with 5 sections of 1 metre has a total width of 5060 mm. This last 60mm comes from the centre-to-centre distance from the beam to the outside of the beam of 30mm, this dimension is returned on both sides and thus gives the 60mm.



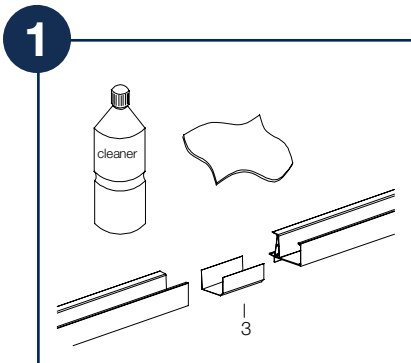
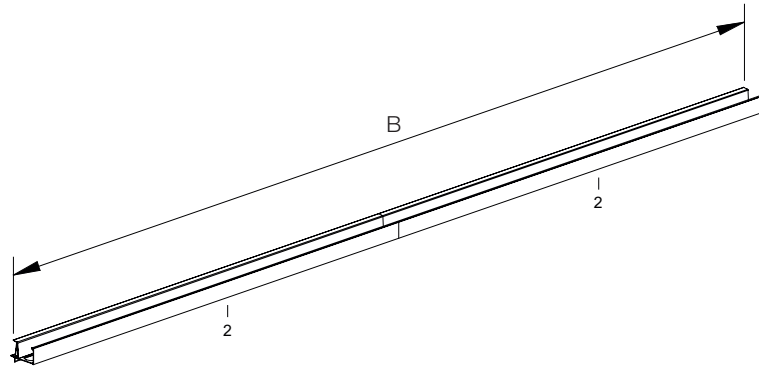
For Assembly of a standard panel size, the total width of a coupled veranda should also end at 60 mm, i.e.: 8060mm, 9060mm, 10060mm etc.

So if you ordered a 9060mm veranda, it will be delivered consisting of one 5060mm flashing and one 4060mm flashing. This adds up to 9120mm. In order for the Width to end at xx60, you need to shorten these profiles by 60mm before assembly. This can be done by subtracting 30mm from both parts, 5030mm + 4030mm = 9060mm. You can also choose to shorten one profile 60mm. 5060mm + 4000mm = 9060mm.

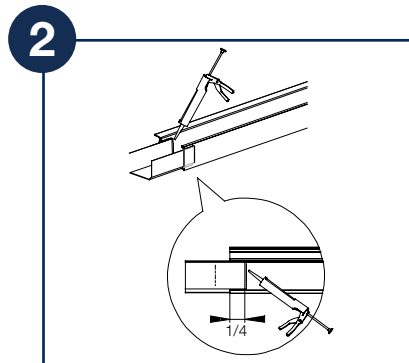
This shortening applies to the wall profile, gutter profile and gutter cover. After shortening, assembly is similar to assembly of a normal veranda.



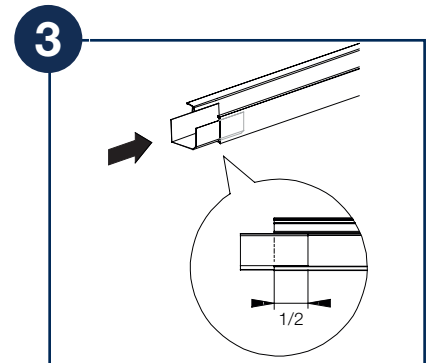
It is recommended to connect the gutter sections before assembly using the gutter connector supplied. The assembly steps are shown below:



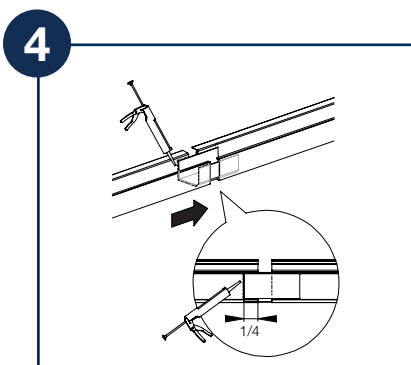
Clean and grease the gutter and gutter connector.



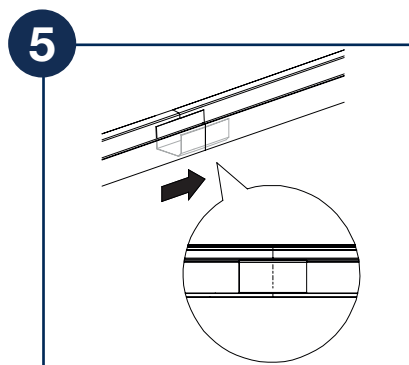
Insert $\frac{1}{4}$ of the gutter piece into the gutter and sealant the inside edge.



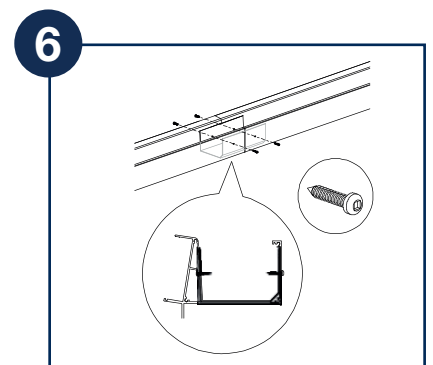
Now press the flashing further up to half in the gutter.



Insert the second gutter $\frac{1}{4}$ into the gutter connector on the other side and sealant the connection edge.



Now press the second flashing all the way across the gutter connector until the gutters meet seamlessly.



The gutter connector can now be fixed with the short stainless steel screws in the chamber of the gutter and at the front under the gutter cover. Sealant the whole tightly and watertight !



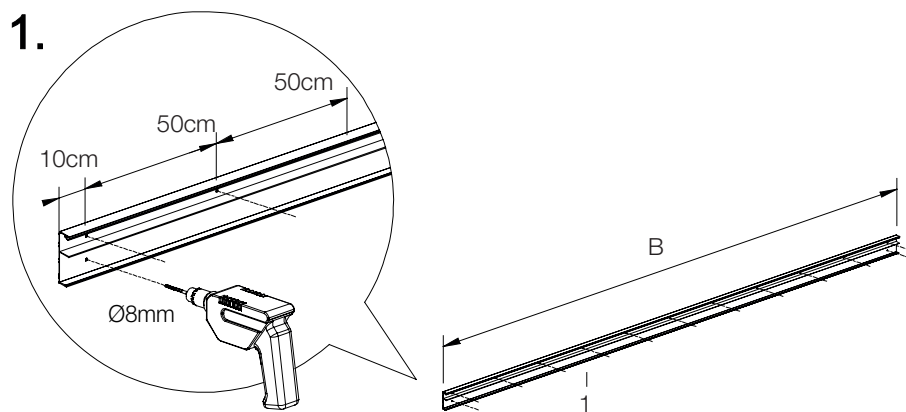
6. Assembly

6.1 Mounting the wall profile

If the wall profile does not need to be shortened, you can fit it directly. If not, you must first adjust the wall profile to the desired length. Do not place the supplied rubber seal in the wall profile yet: this rubber seal will only be placed at the end of assembly.

Step 1

Drill holes approximately 50cm apart in the wall profile. Start about 10cm from the end and finish about 10cm from the end. Use a metal drill $\varnothing 8\text{mm}$.

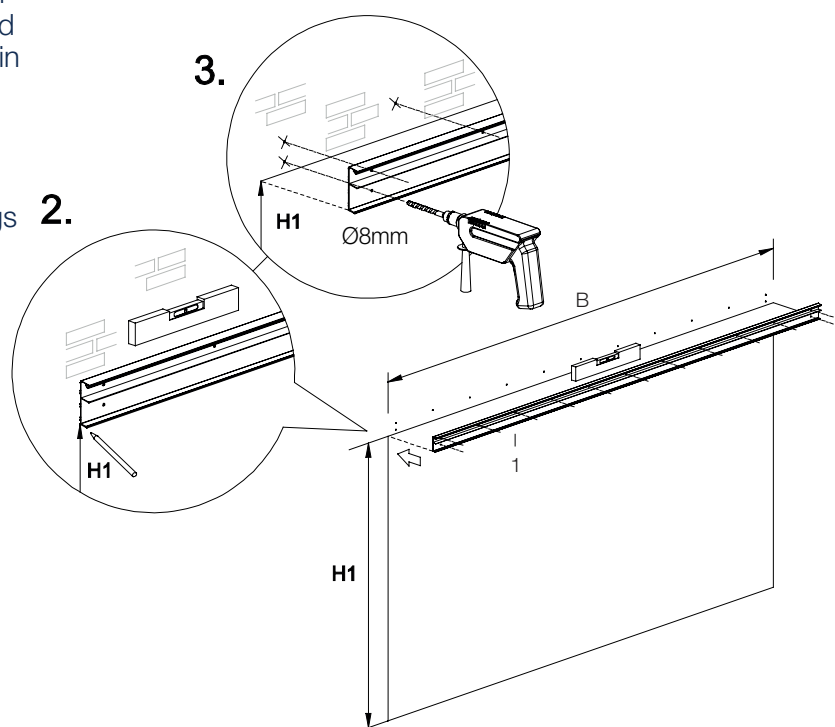


Step 2

Now mark a line on the wall indicating where the bottom of the wall profile will be. Place the wall profile on the line and then mark the holes as you pre-drilled in the wall profile in the previous step.

Step 3

Now drill holes with a $\varnothing 8\text{mm}$ concrete drill bit. Make sure the wall profile hangs level.



**Step 4**

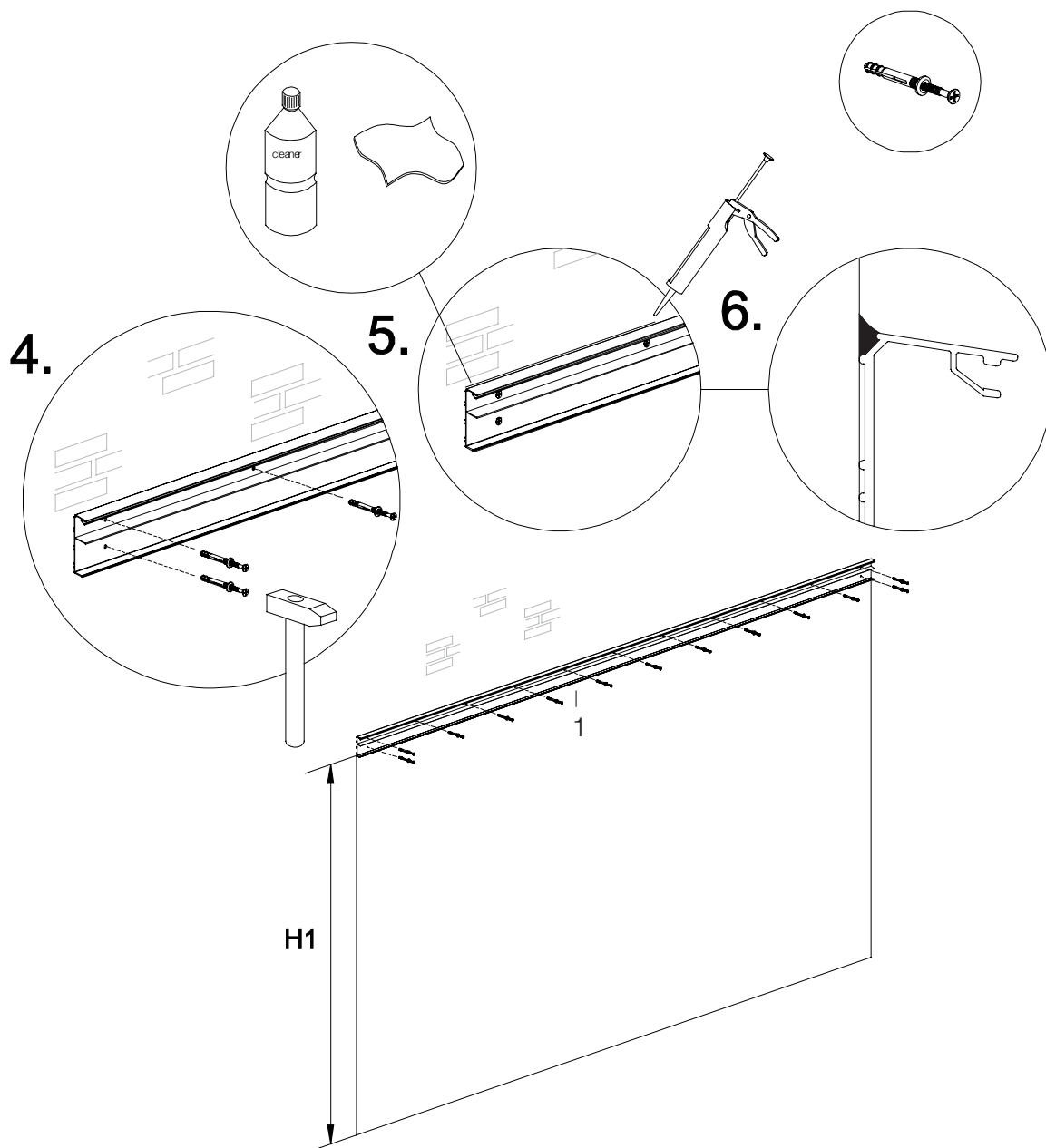
Secure the wall profile. Provide the appropriate fastening materials yourself. Frame fixing screws should only be used in case of suitable wall types.

Step 5

Degrease the wall profile at the top near the wall.

Step 6

Sealant the wall profile (between the wall and the wall profile) at the top well. Finish the sealant smoothly and watertight.





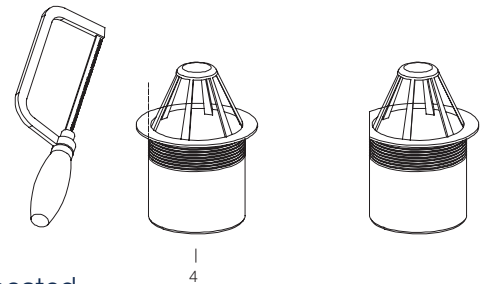
6.2 Pre-assembly of the gutter

If the gutter has the correct length as standard, you can pre-mount it directly. If not, first bring the gutter and gutter cover to the desired length.

6.2.1 Installing the leaf catcher in the gutter

Step 1

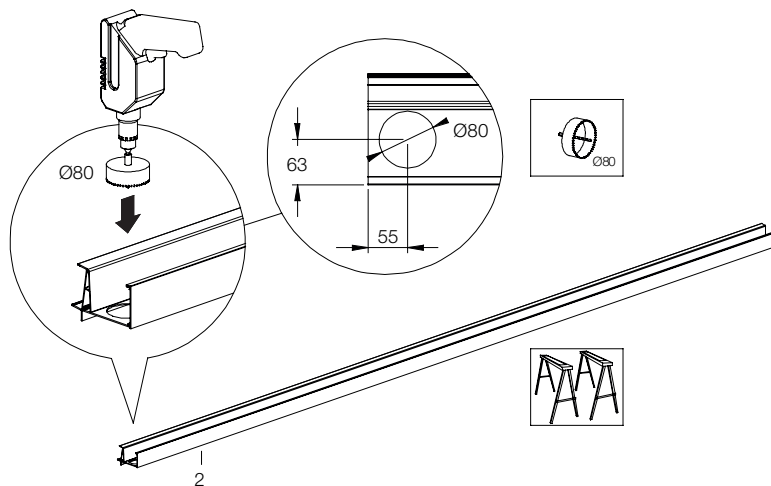
Cut/cut the leaf catcher on one side to fit is in the gutter profile.



Step 2

Lay the gutter flat and firm on a table or on trestles.

Determine where the rainwater discharge post (and leaf catcher) will be located i.e. on the left or right side of the gutter. Mark the position of the hole for the leaf catcher in the gutter. Now carefully drill the $\varnothing 80$ mm hole in the gutter using the hole saw.

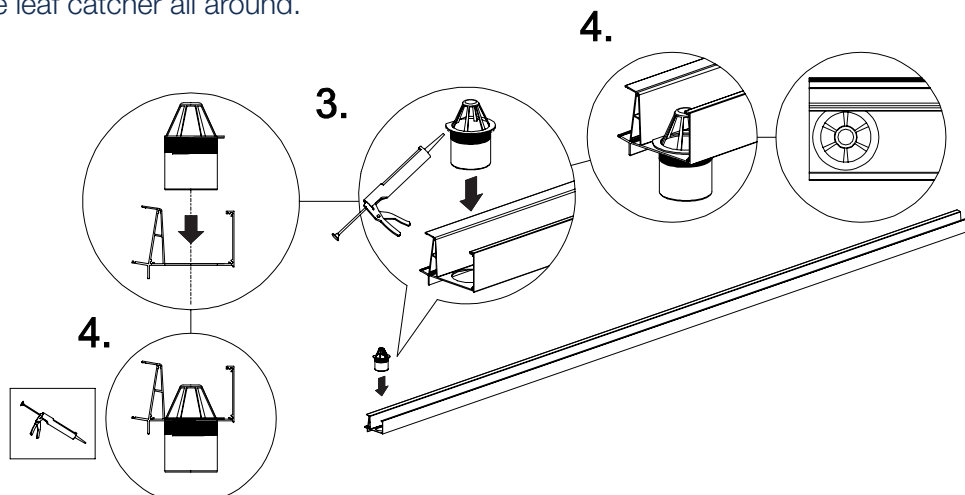


Step 3

Apply sealant to the underside of the leaf catcher.

Step 4

Installing the leaf catcher in the gutter hole (with the sawn-off side on side of the hollow chambers of the gutter profile) Sealant the leaf catcher all around.

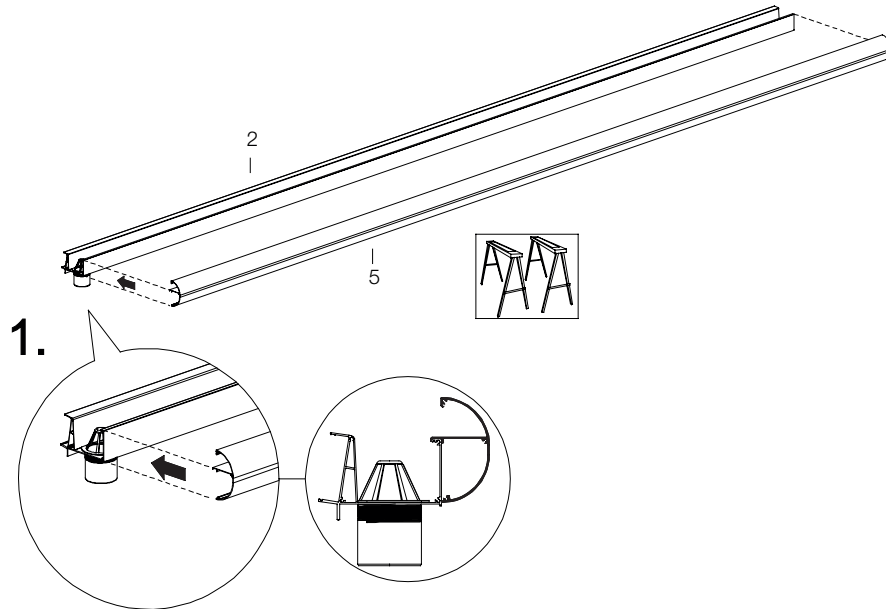




6.2.2 Attaching the decorative profile to the gutter

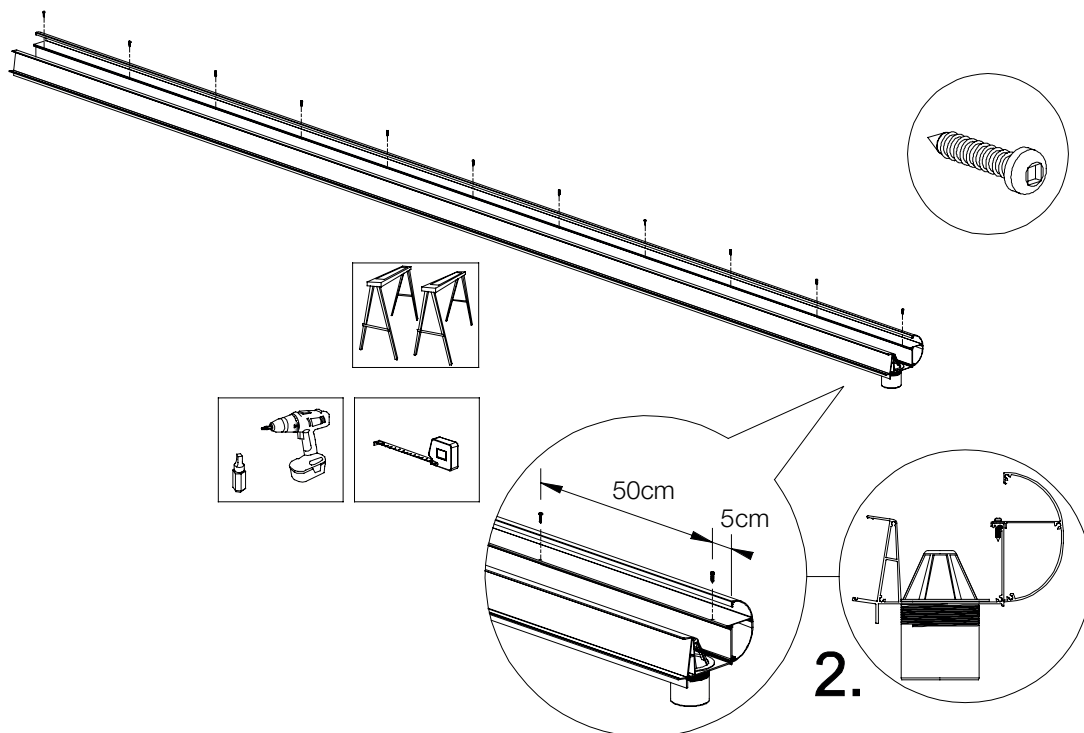
Step 1

Lay the gutter flat and firm on a table or on trestles. Install the gutter cover on the top of the gutter.



Step 2

Secure the gutter cover with the supplied short 19mm stainless steel screws. Start about 5cm from the side and place a screw every 50cm or so. The last screw ends about 5cm from the side.





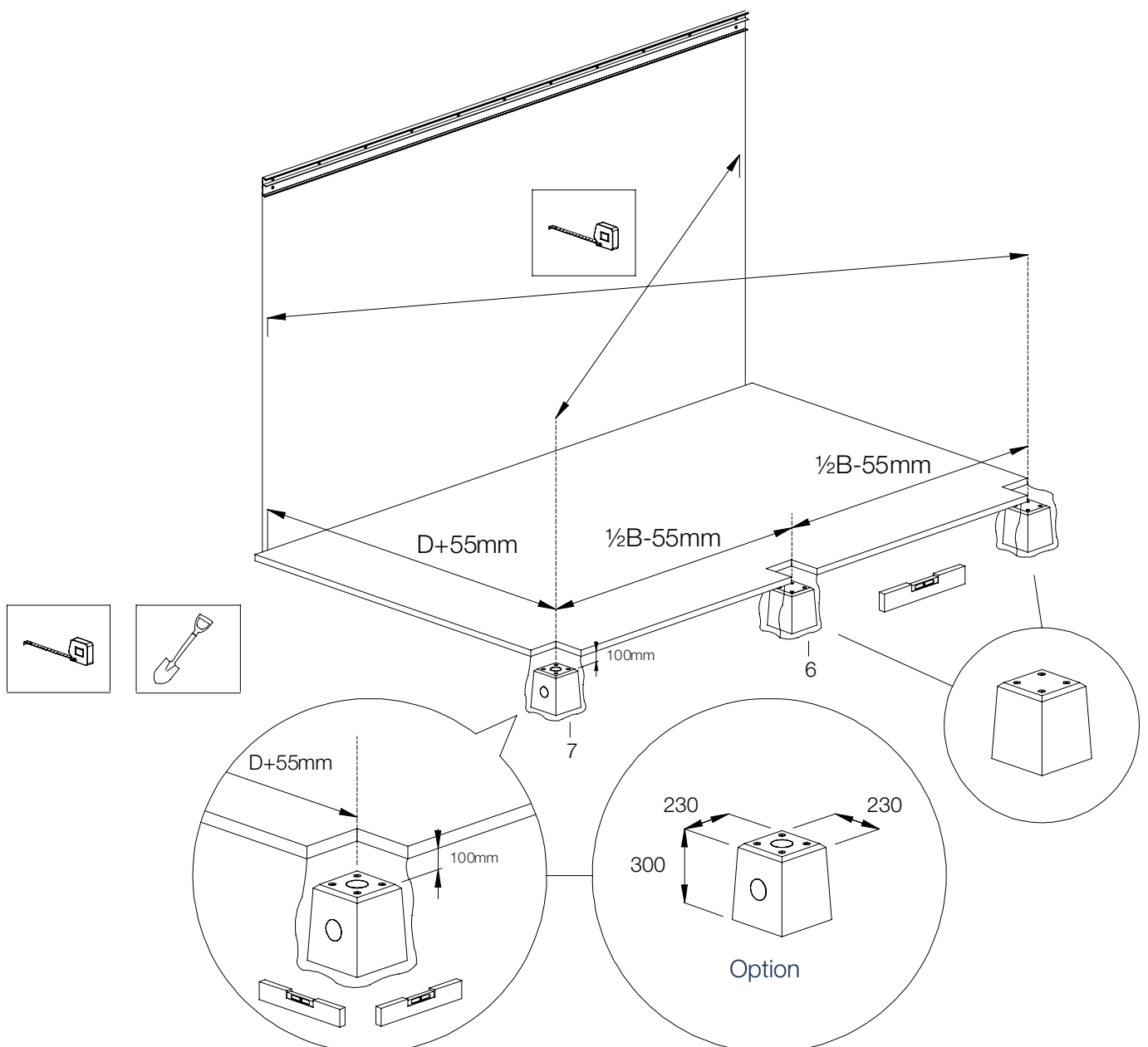
6.3 Installing posts, gutter and side beams

6.3.1 Positioning posts on Concrete bases

Determine the positions of the Concrete bases and the concrete base with rainwater discharge.

Place the Concrete bases in the ground as accurately as possible. ensure that the top of the Concrete base is placed at least 100mm below ground level and place them level.

Place the centre of the Concrete base at a distance $B + 55\text{mm}$ from the back of the wall profile. Make sure the Concrete bases are fully perpendicular. Connect the drain to the side outlet of the RWD pile.





Note: when shortening the posts, if necessary, take into account the depth of the Concrete bases and the underside of the posts.

Step 1

Install the post with the PVC rainwater discharge pipe at the location of the RWD Concrete base.

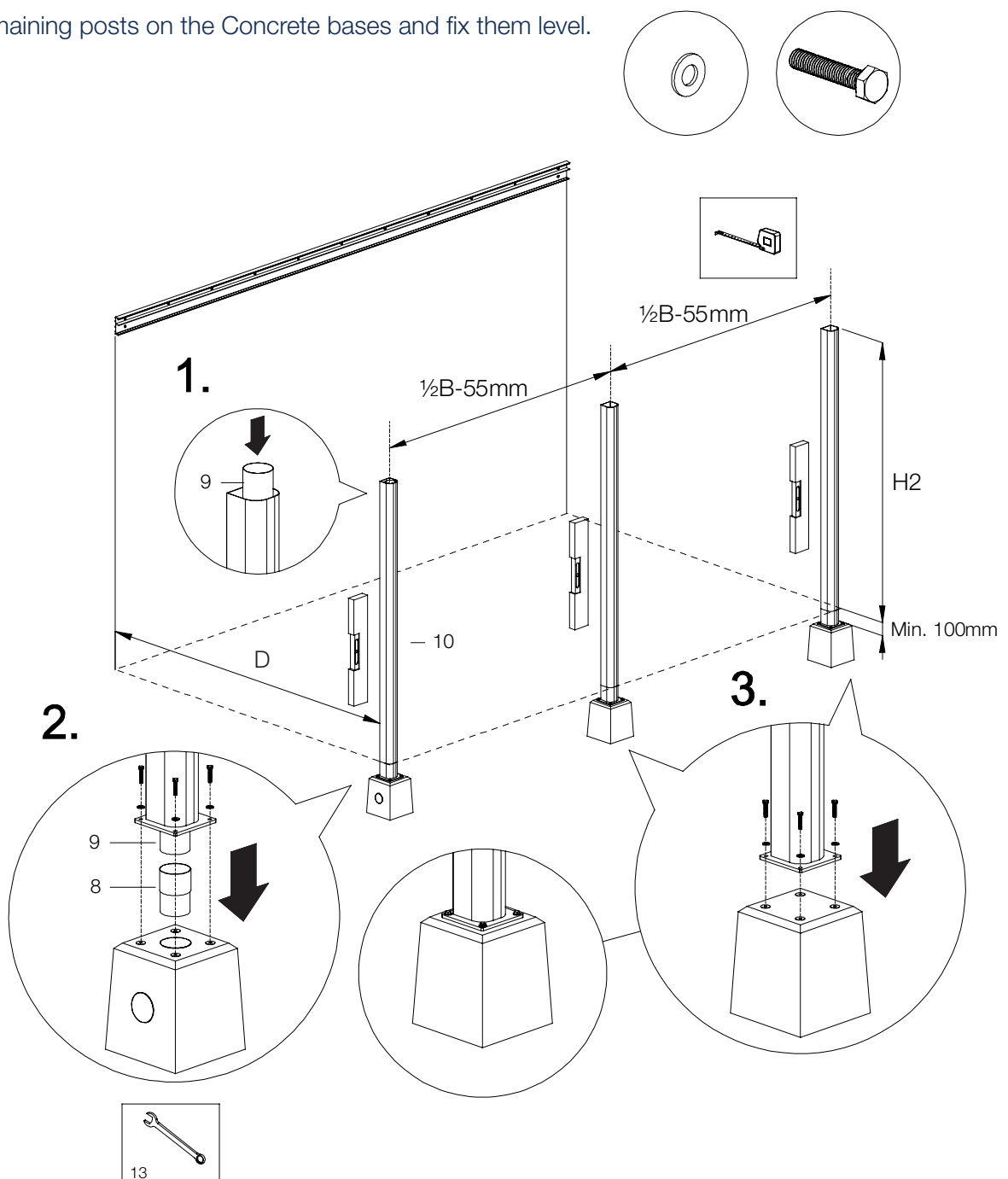
Step 2

Place the rainwater discharge sleeve in the RWD Concrete base and connect the rainwater discharge pipe to the sleeve.

Place the post with the rainwater discharge pipe on the top of the RWD Concrete base and secure the post with hexagonal bolts M8x40 (incl. body washers). Make sure the post is level.

Step 3

Place the remaining posts on the Concrete bases and fix them level.





6.3.2 Installing the gutter

Step 1

Now place the pre-assembled gutter profile on the posts. Make sure the leaf catcher falls well into the PVC rainwater discharge pipe.

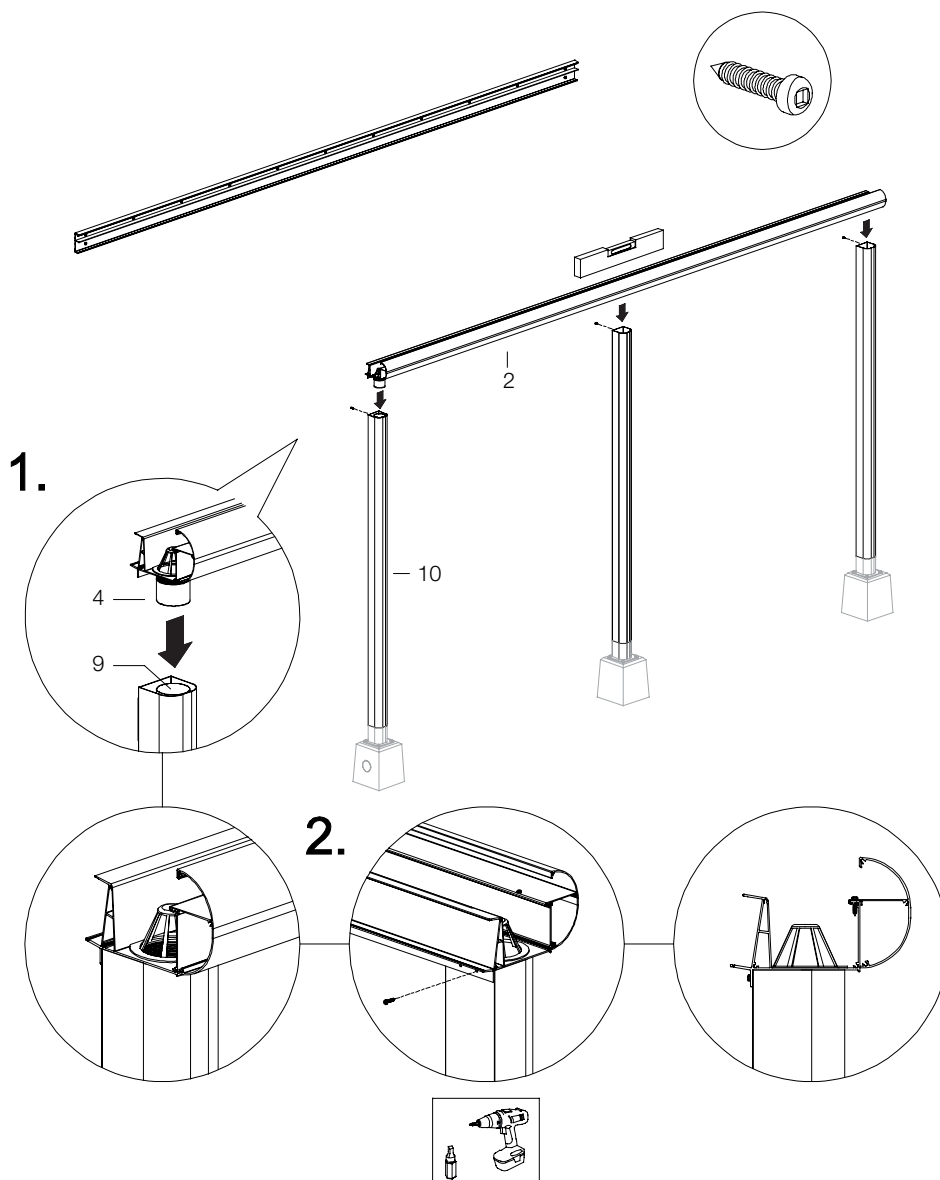
Step 2

Screw the posts to the gutter with one short screw from the lower lip of the gutter profile into the post. This way, you can touch up the position of the gutter later, if necessary.

Note: the posts should ultimately be fastened with 2 screws. The first screw should therefore not be fixed in the middle of the posts but about 1/3 from the side. Make sure not to drill and screw through the PVC pipe in 1 of the posts!

Step 3

From the gutter, screw 2 screws down into the screw channels of the posts. This will pull the gutter onto the posts.





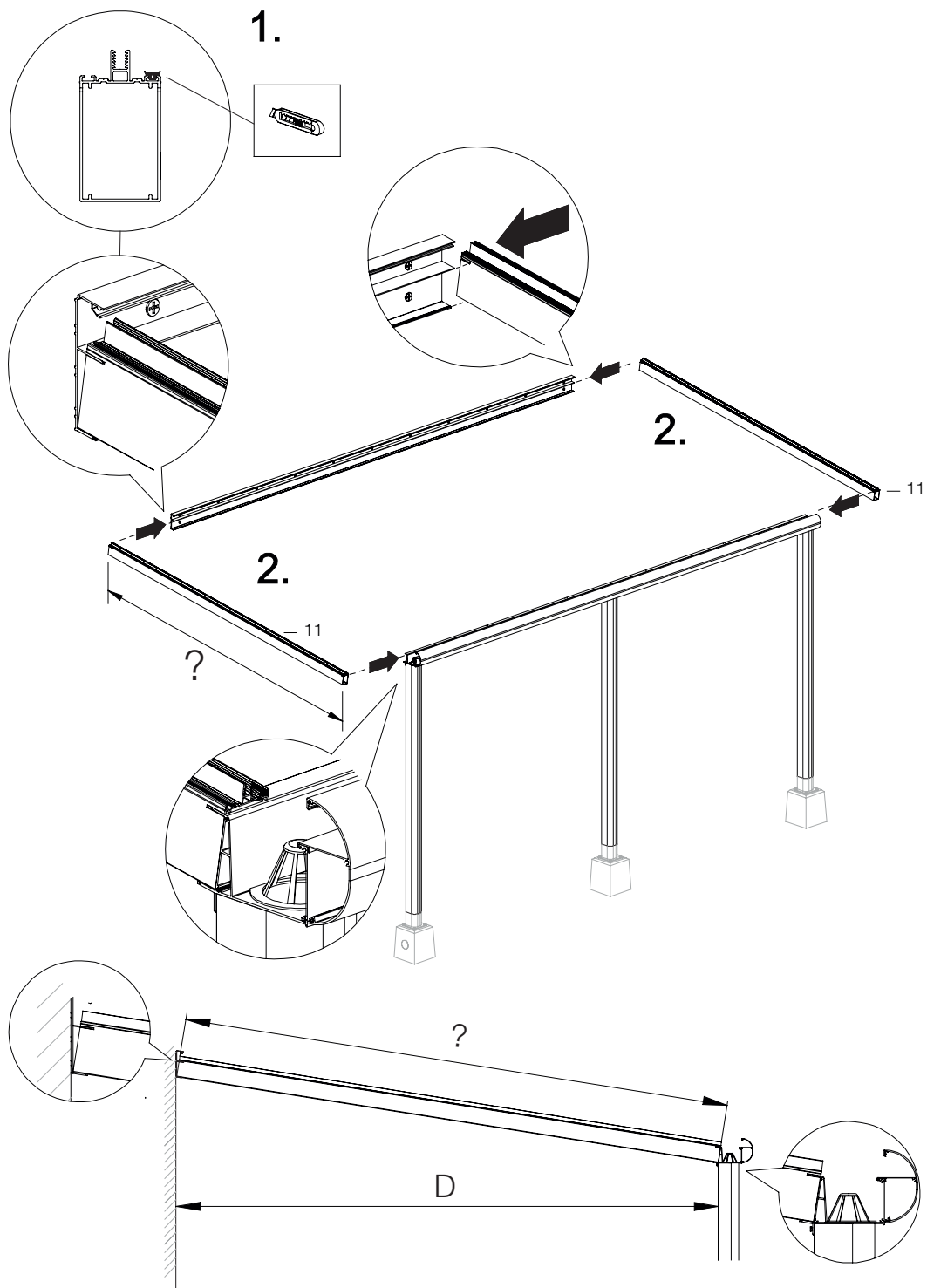
6.3.3 Installing the end beams

Step 1

Carefully cut or trim the pre-mounted rubber seals in the side beams to size.

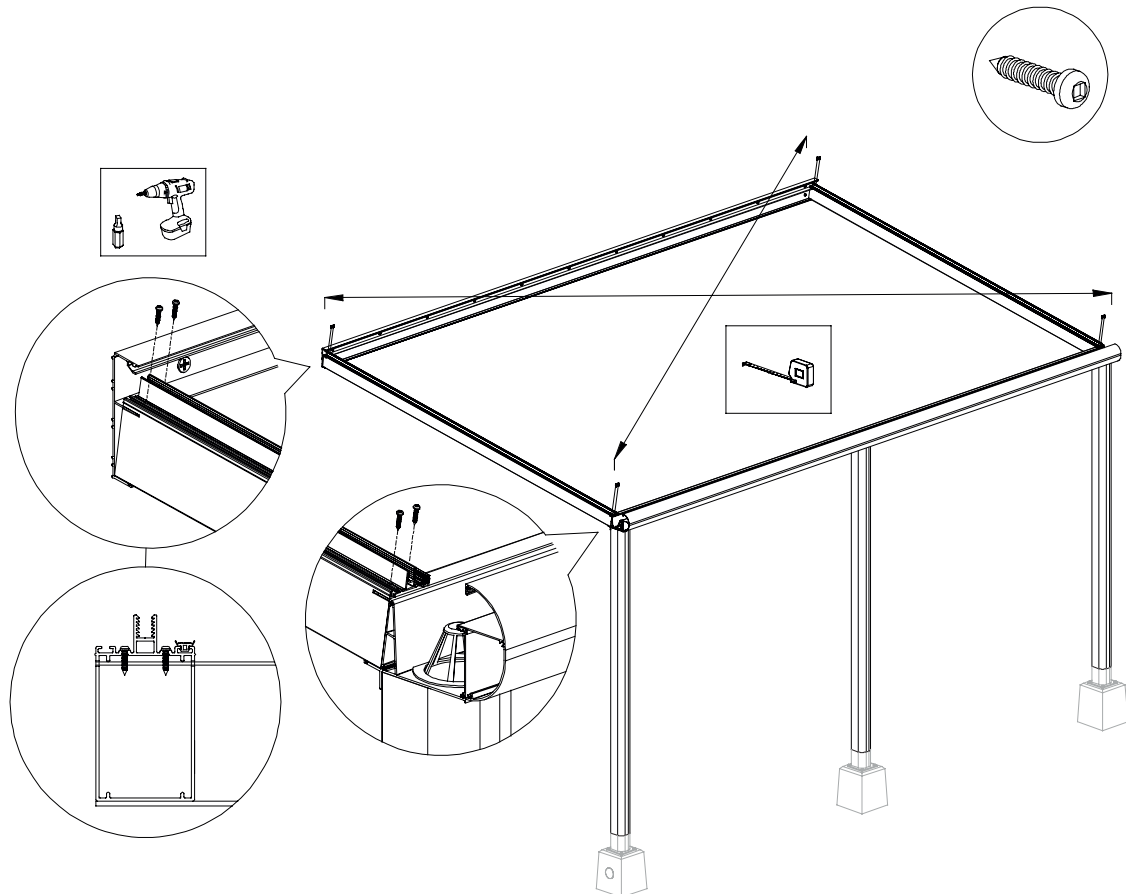
Step 2

Installing the left and right side beams one by one in both the gutter profile and wall profile. Ensure that the outside edges of the side beams are flush with the ends of the gutter profile and wall profile.





Screw the side beams from the top to both gutter profile and wall profile with one short screw per side. Ensure that the veranda is fully perpendicular. Screw the side beams with the second screw.





6.4 Installing the middle beams

Note: if you install Deponti LED lighting, we recommend installing it before installing the middle beams.

If you do not shorten the width of the veranda, you can use the gutter cover plates as spacers between the beams. The standard panel width is 98cm, the middle beams are spaced 100cm apart.

Step 1

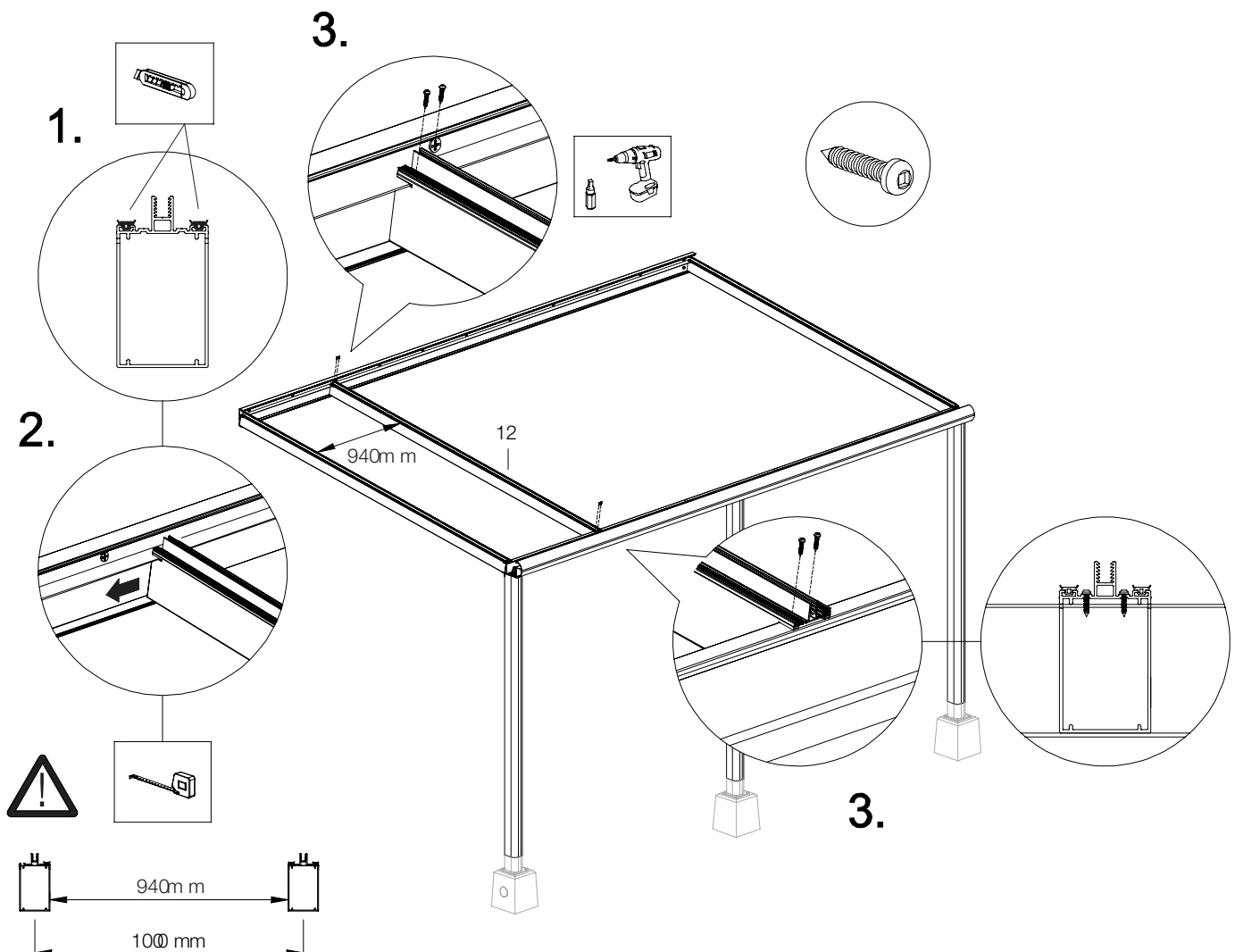
Carefully cut or trim the pre-mounted rubber seals in the middle beams to size.

Step 2

Place the first middle beam at the desired distance in the wall and gutter profile.

Step 3

Screw the middle beam to both gutter and wall profile with 2 short screws.

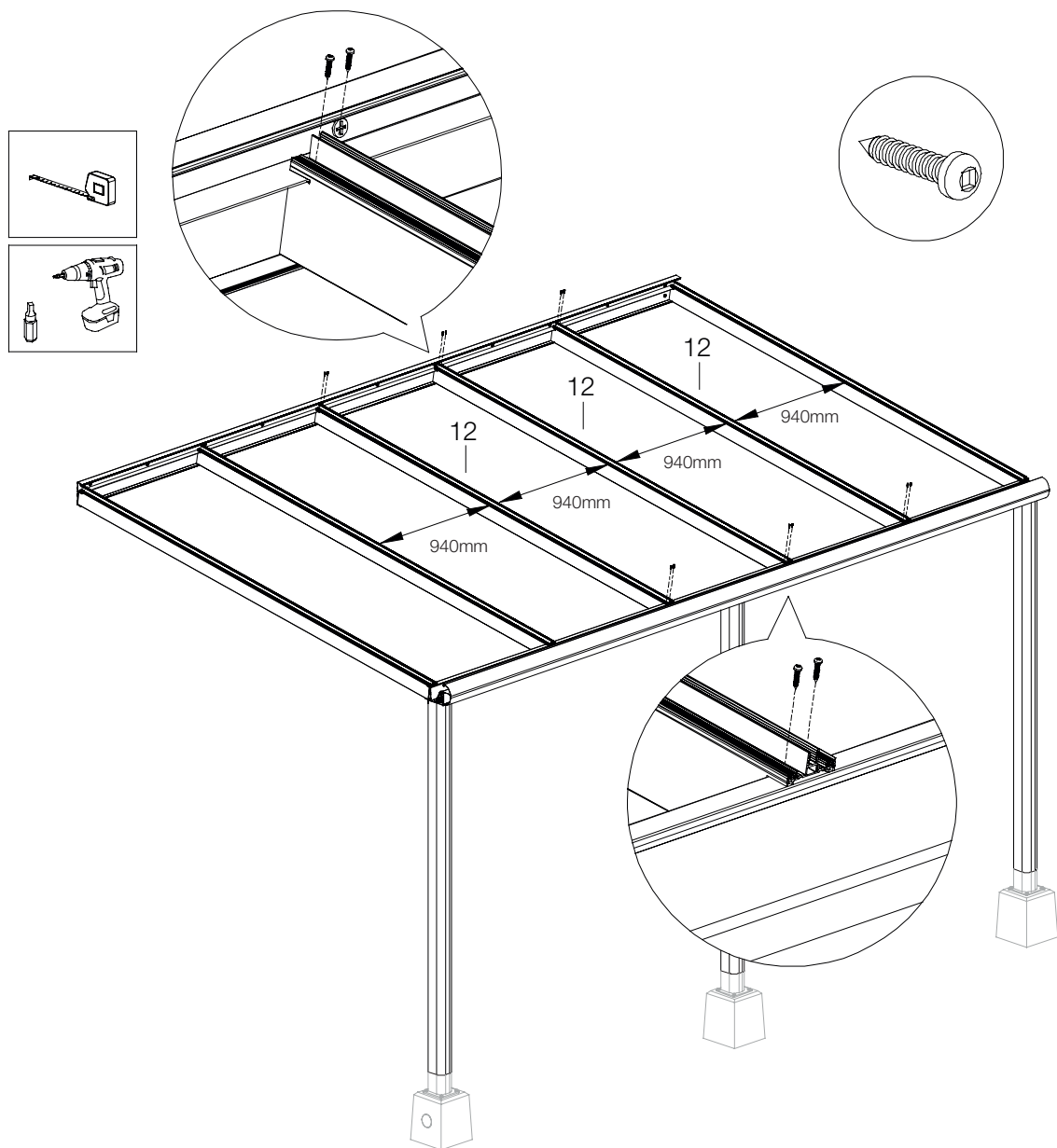


**Step 4**

Then place the remaining middle beams at the desired distance in the wall and gutter profile.

Step 5

Screw the middle beams to both gutter and wall profile with 2 short screws.



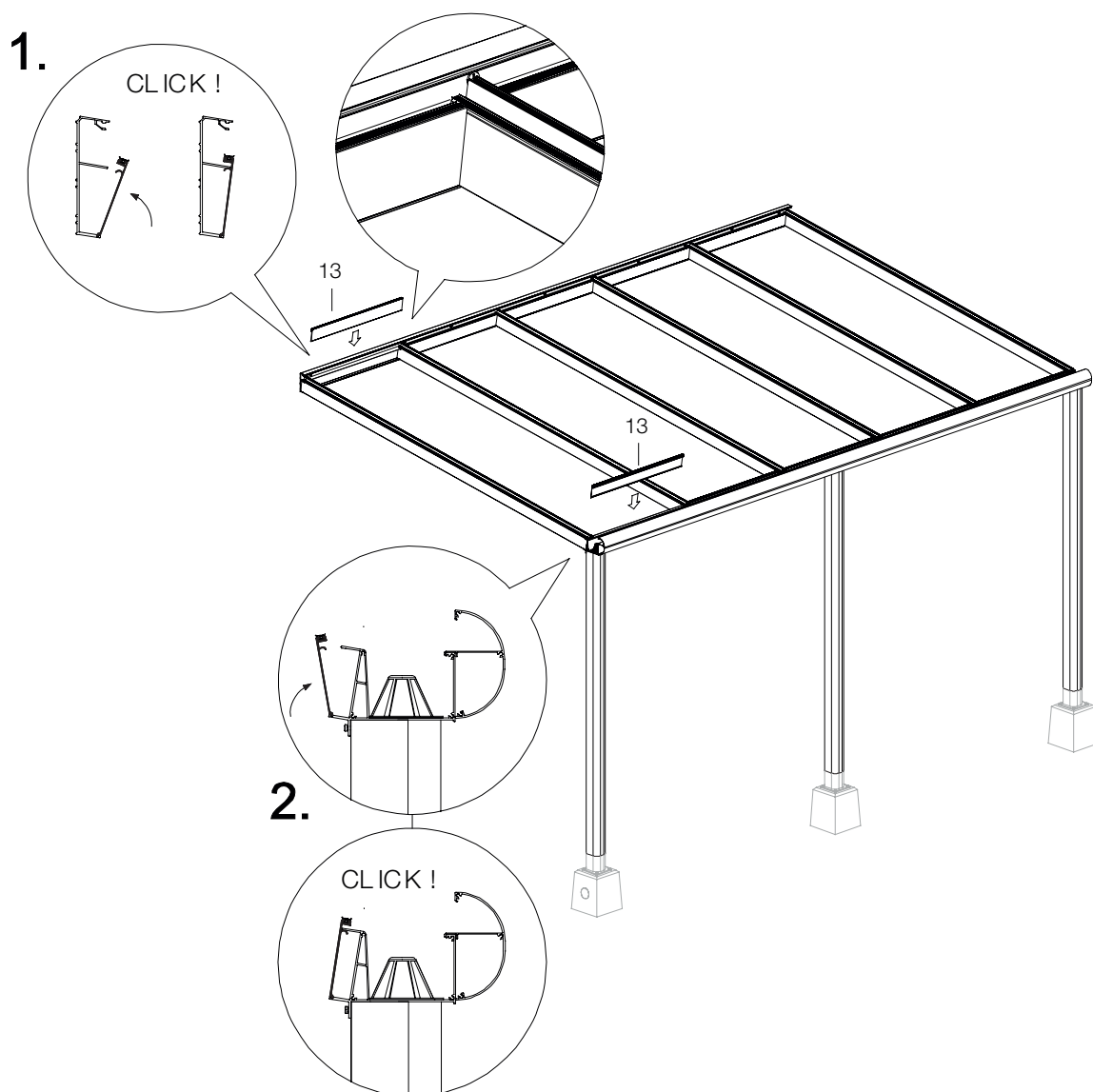
Please note: make sure that all cabling for any LED lighting is in place and connected before fitting the side covers inside. We recommend placing the transformer behind a finish cover to allow easy access for servicing later if required.

Step 1

Insert the side covers inside the wall profile.

Step 2

Insert the side covers inside the gutter profile.



6.5 Preparing and installing the roofing sheets

If you want to shorten the boards in width, we recommend shortening per full "chambers" as much as possible to keep the edges closed.

Roofing sheets can have a top and a bottom side. All polycarbonate sheets have at least one UV-resistant side, some are UV-resistant on both sides. This is indicated on the sheets with a protective film. Always ensure that one UV-resistant side faces the top.

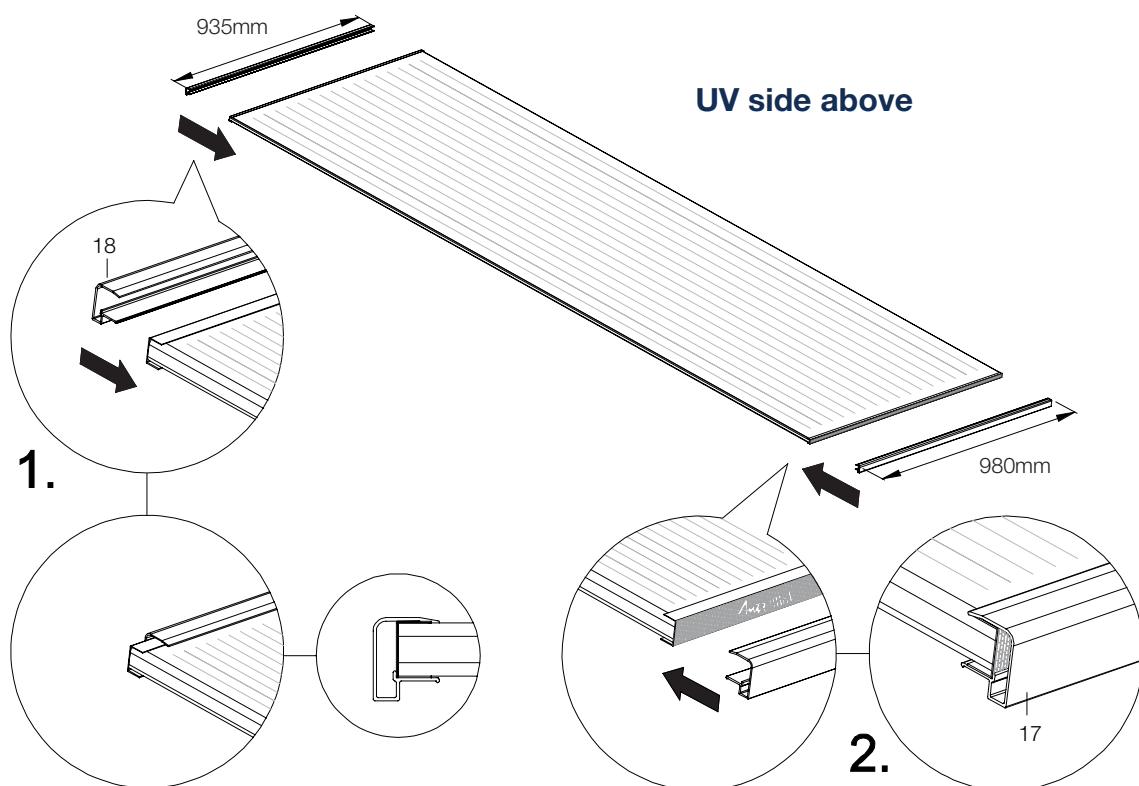
Step 1

Place the short condensation profiles (935mm) on the wall side at the end of the roofing sheets.

Note: The tab of the profile belongs on the underside of the plate.

Step 2

Place the long condensation profiles (980mm) on the gutter side at the end of the roofing sheets. These condensation profiles have pre-drilled holes so that the condensation water can come out from underneath.





Step 3

Place the first roofing sheet between the beams. Note: UV-resistant side at the top (if the polycarbonate sheet is not UV-resistant on both sides) and, the long condensation profile with the tab down on the gutter side.

Step 4

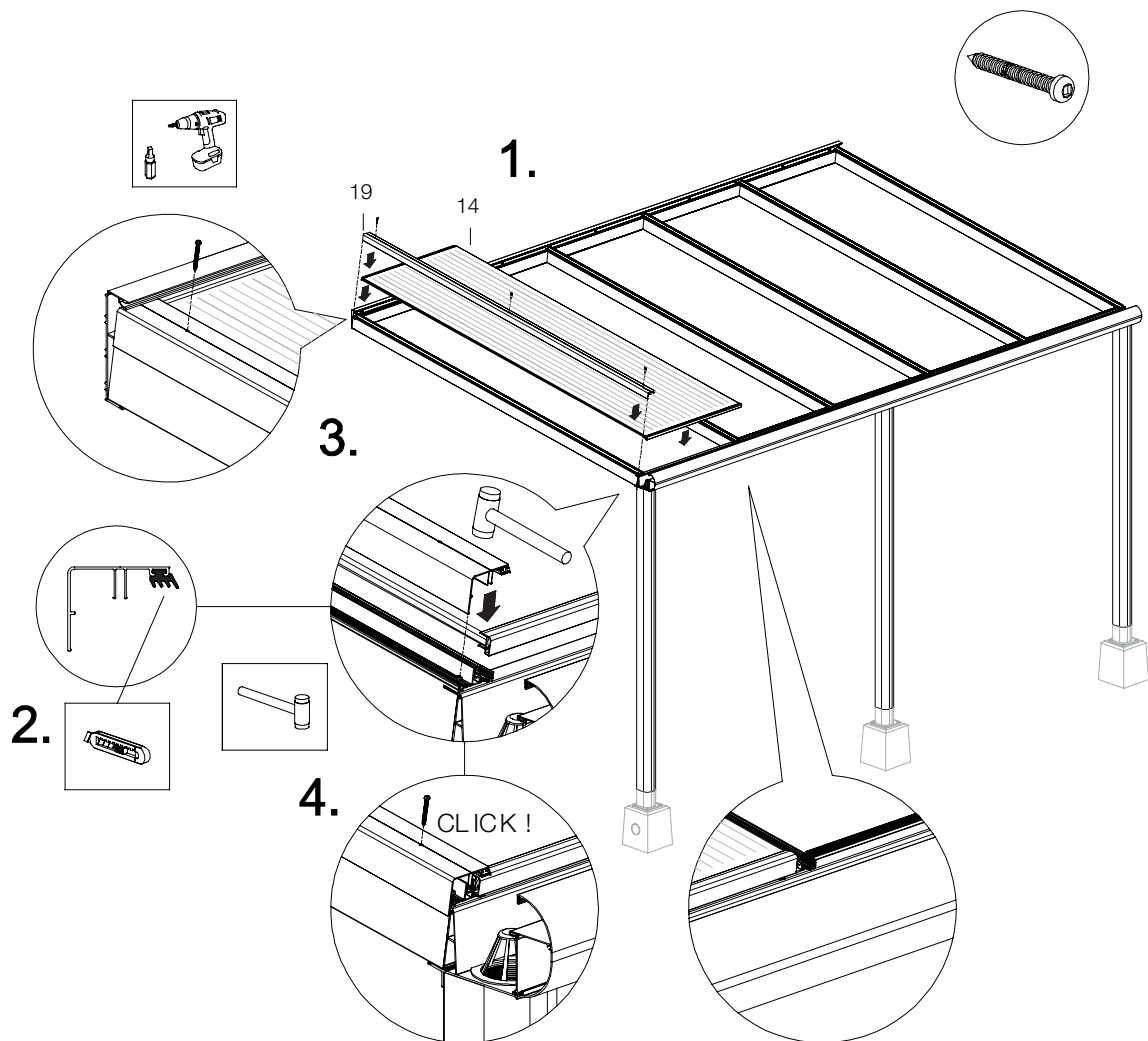
Carefully cut or trim the pre-mounted rubbers in the aluminium end cover strip to size.

Step 5

Pre-drill the end cover strip with 3 mm drill bit. (1 top - 1 out of side - 1 middle). Position the end cover strip. Position the cover strip on the wall and gutter side flush with the beam. On the wall side, the cover strip goes just a little below the wall profile for additional anchoring. When the cover strip is in position, click the top cover in between beams, using a rubber seal.

Step 6

Then screw the end cover strip to the side beams at 3 points with long stainless steel screws (1 top - 1 out of side - 1 middle).



Step 7

Lay the second roofing sheet between the beams.

Note: UV-resistant side at the top (if the polycarbonate sheet is not UV-resistant on both sides) and, the long condensation profile with the tab down on the gutter side.

Step 8

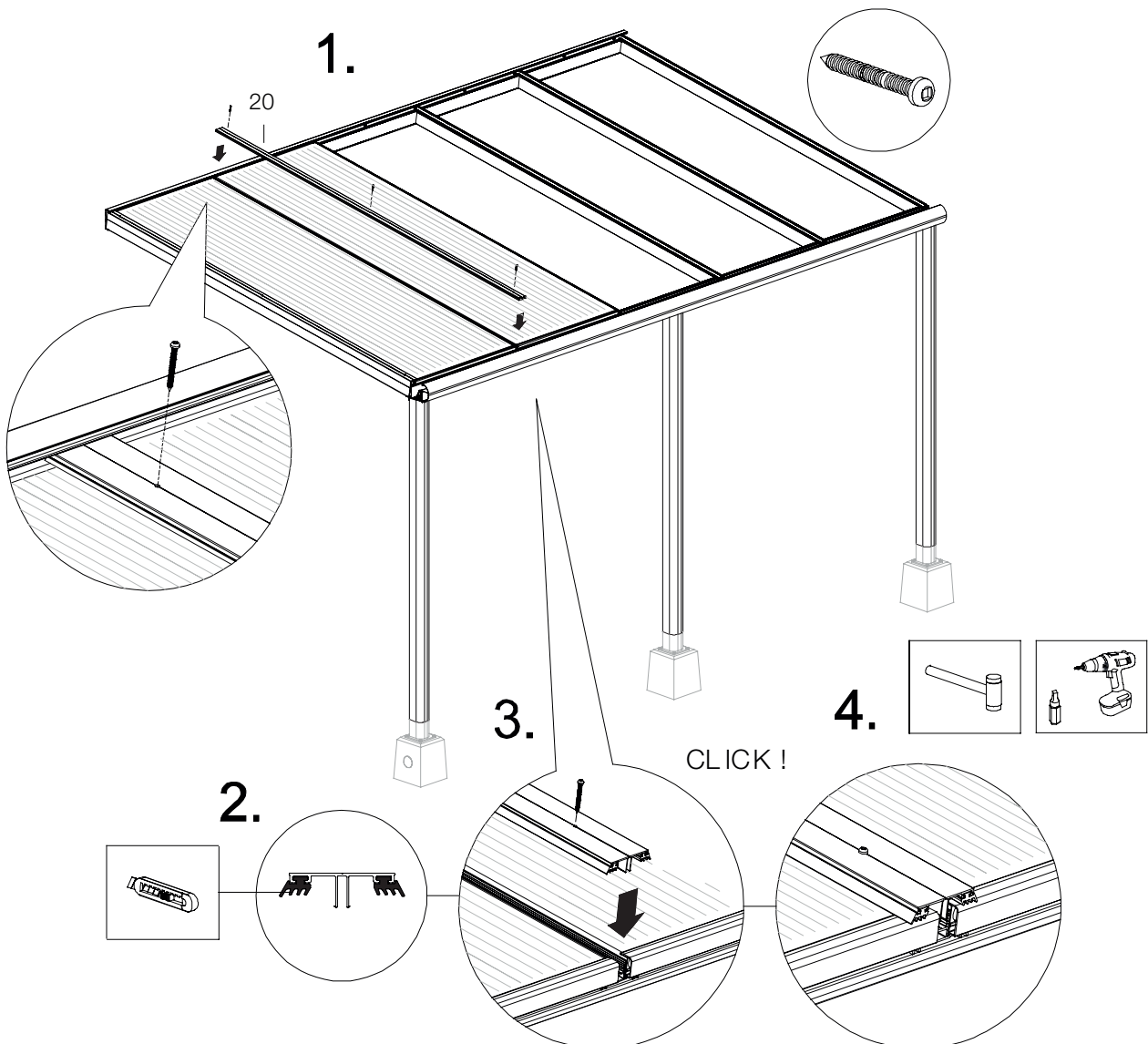
Carefully cut or trim the pre-mounted rubbers in the aluminium middle cover strip to size.

Step 9

Pre-drill the middle cover strip with 3mm drill bit. (1 top - 1 out of side - 1 middle). Place the middle cover strip. On the wall side, the cover strip goes just a little below the wall profile for additional anchoring. When the frame is well in position, click the top cover in between beam onto the middle beam, using a rubber seal.

Step 10

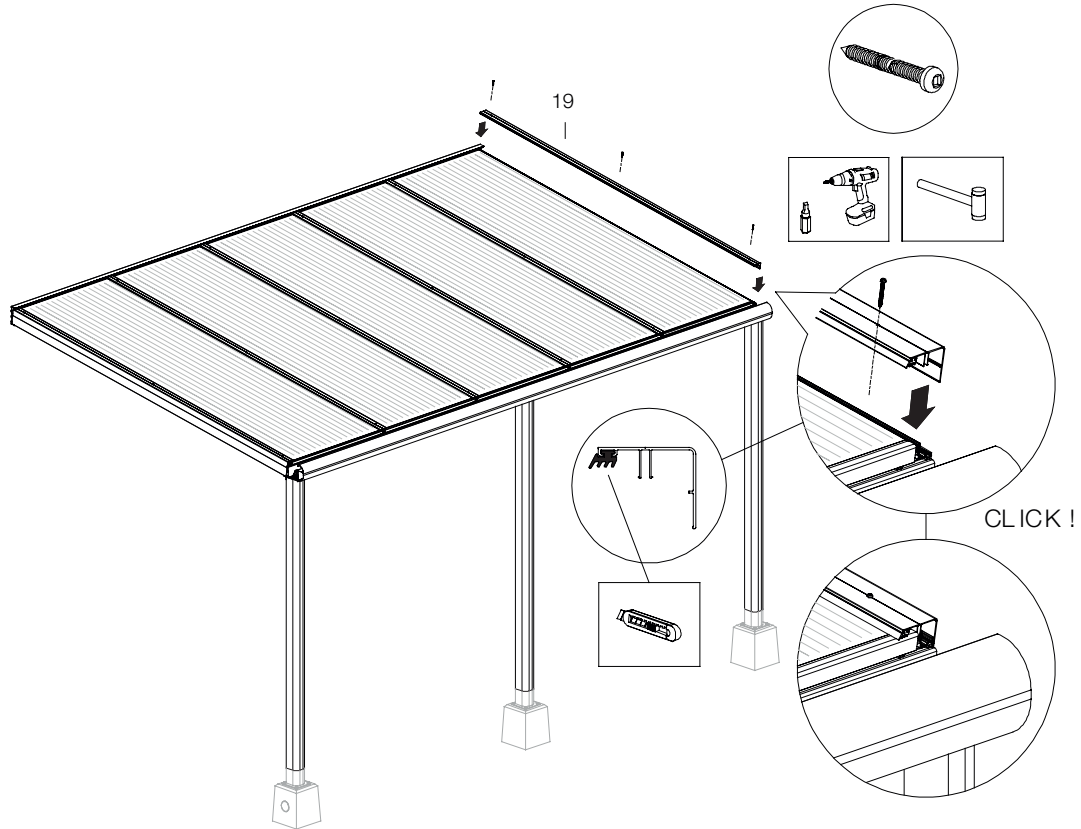
Then screw the middle cover strip to the middle beam at 3 points using long stainless steel screws (1 top - 1 out of side - 1 middle).





Step 11

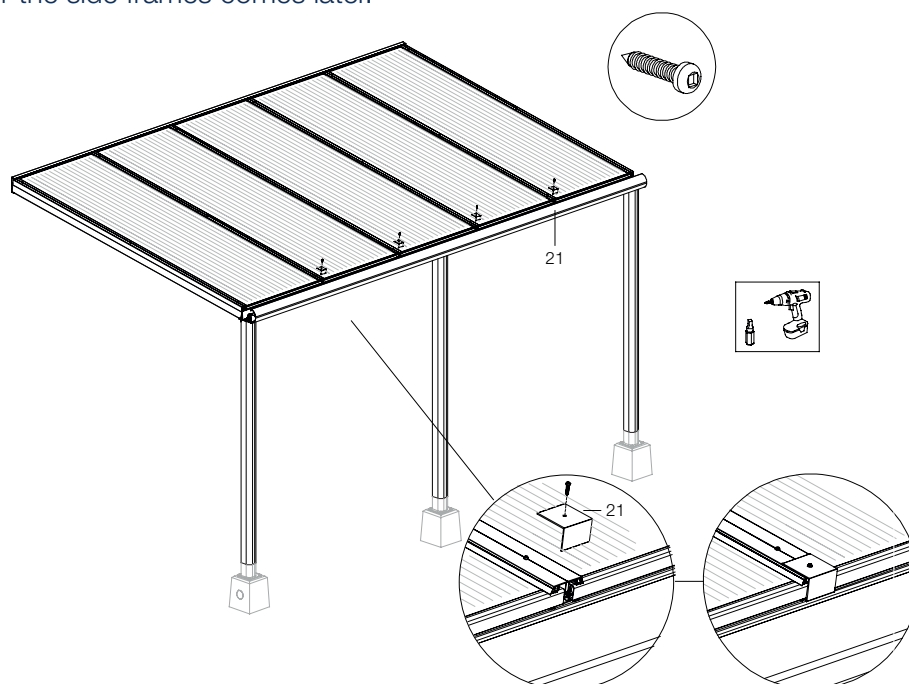
Repeat steps 1 to 10 on pages 29 and 30 to fit the remaining cover strips.



Step 12

Now screw a sheet stopper on each middle beam as an additional fuse at the gutter.

Note that the fuse for the side frames comes later.





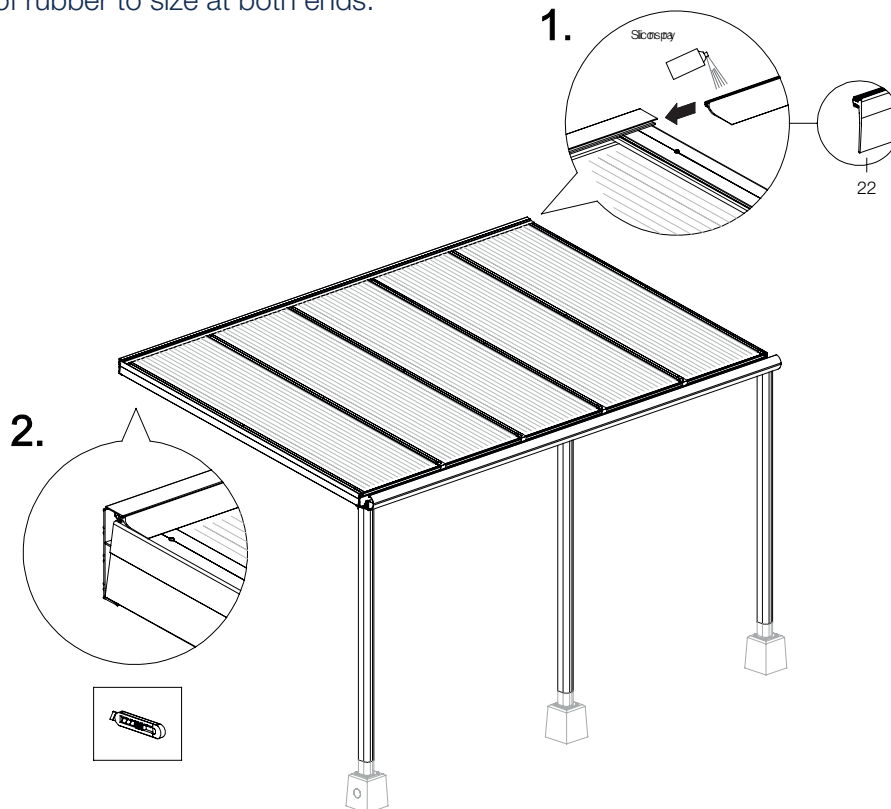
6.6 Finishing

Step 1

Place the roof rubber tightly in the wall profile so that it runs over the plates and cover strips.

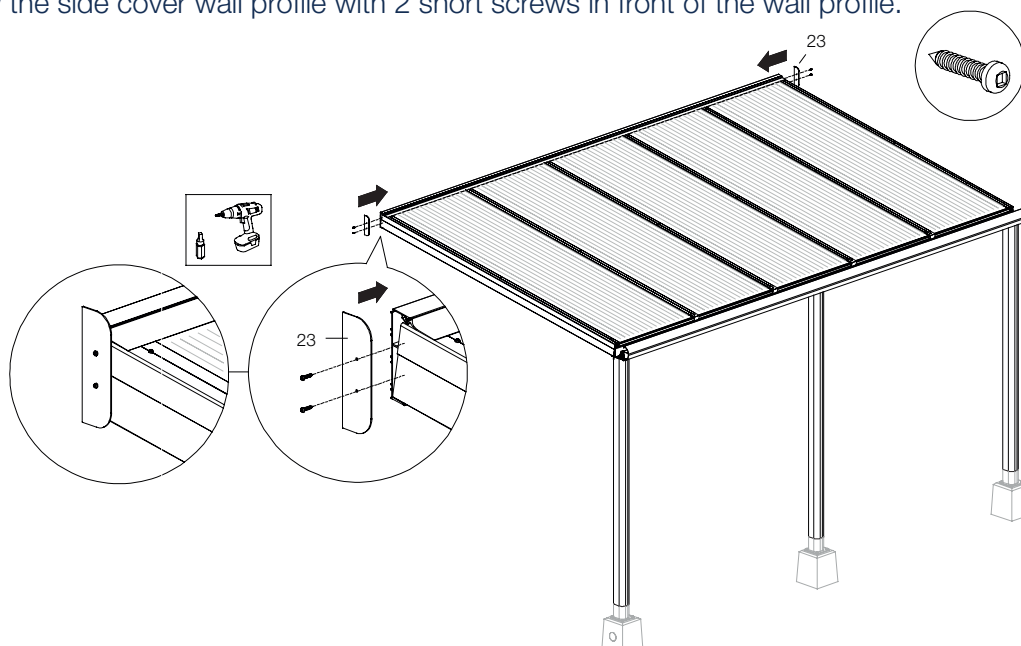
Step 2

Carefully cut the roof rubber to size at both ends.



Step 3

Screw the side cover wall profile with 2 short screws in front of the wall profile.





Step 3

Apply sealant to the ends of the gutter and gutter cover.

Step 5 (Optional - When using a gasket instead of sealant)

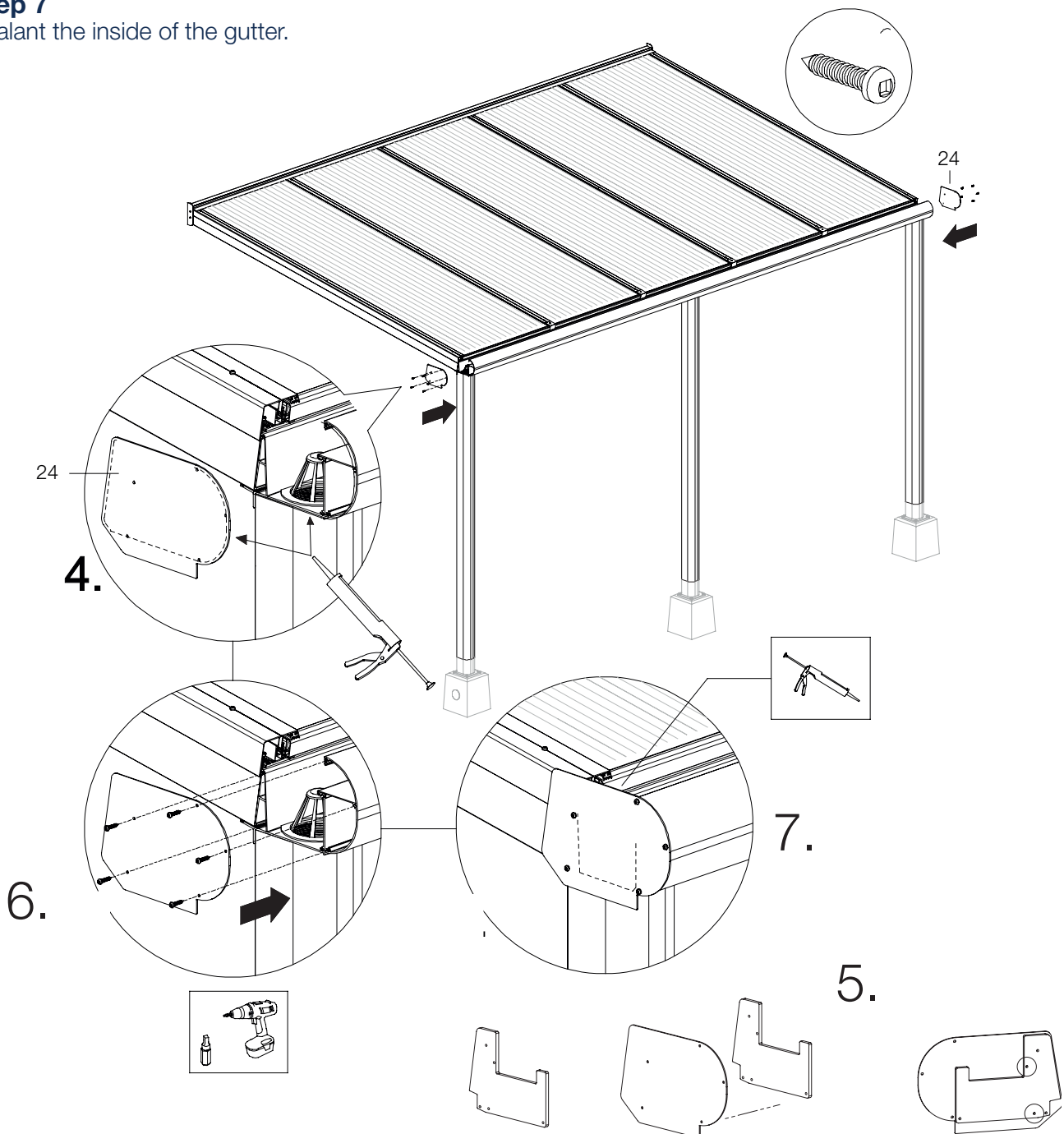
1. Remove the protective film from the gasket.
2. Apply the gasket to the side cover. Make sure the screw holes exactly match those of the side cover.

Step 6

Using the short screws, carefully screw the gutter cover onto the gutter profile and the trim into the designated screw guides.

Step 7

Sealant the inside of the gutter.



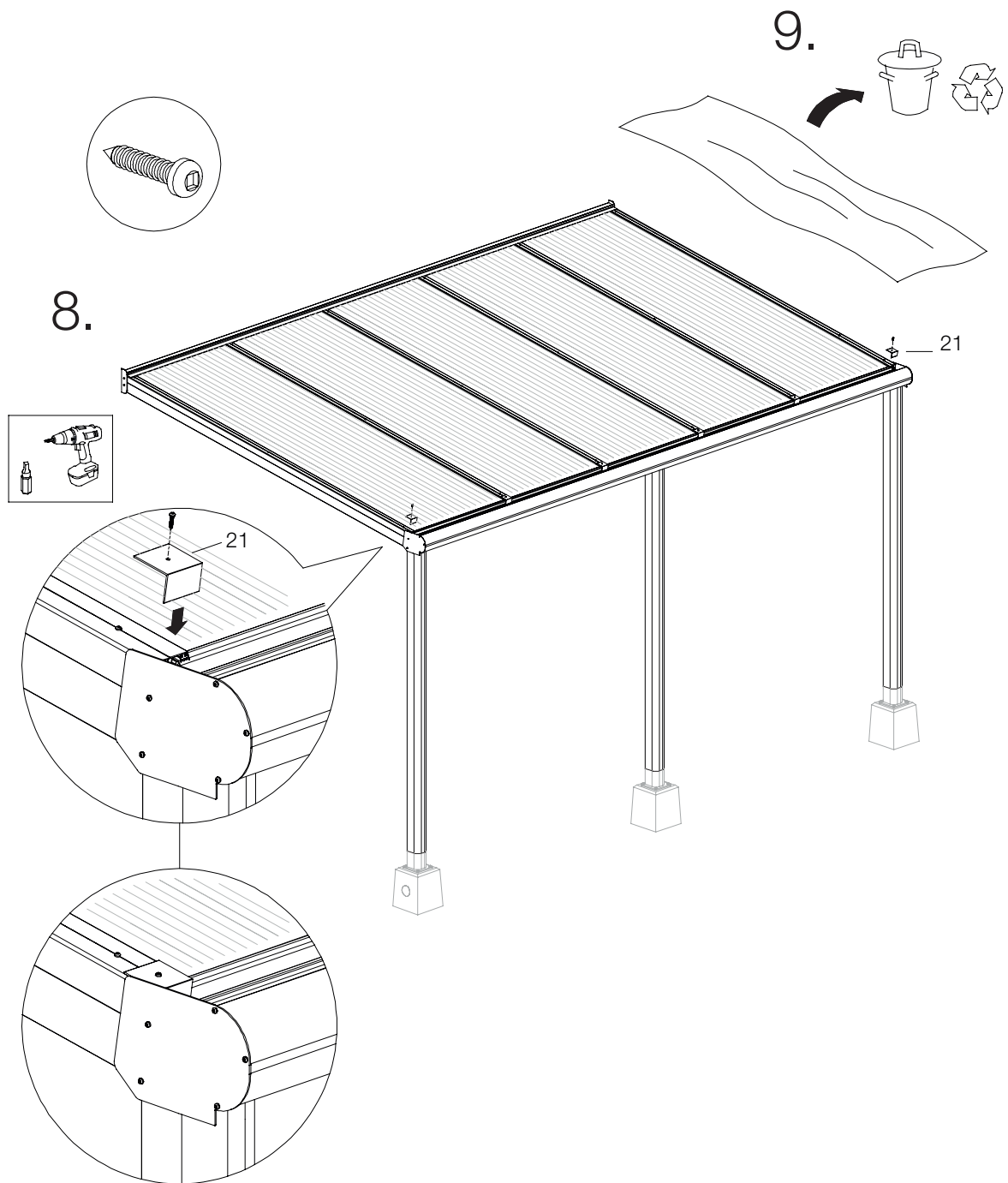


Step 8

Now install the sheet stoppers on the cover strips of the side beams with the short screws.

Step 9

Remove the protective film from the roofing sheets and aluminium parts.

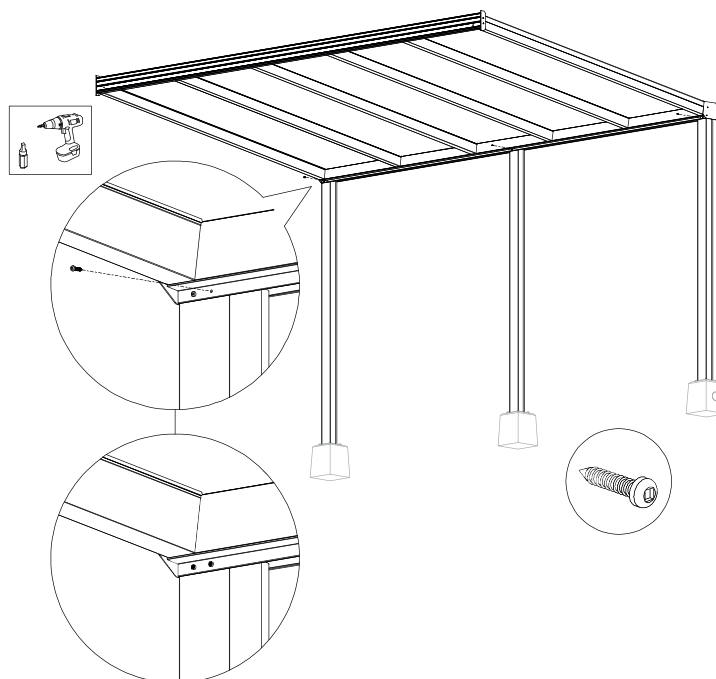


Step 10

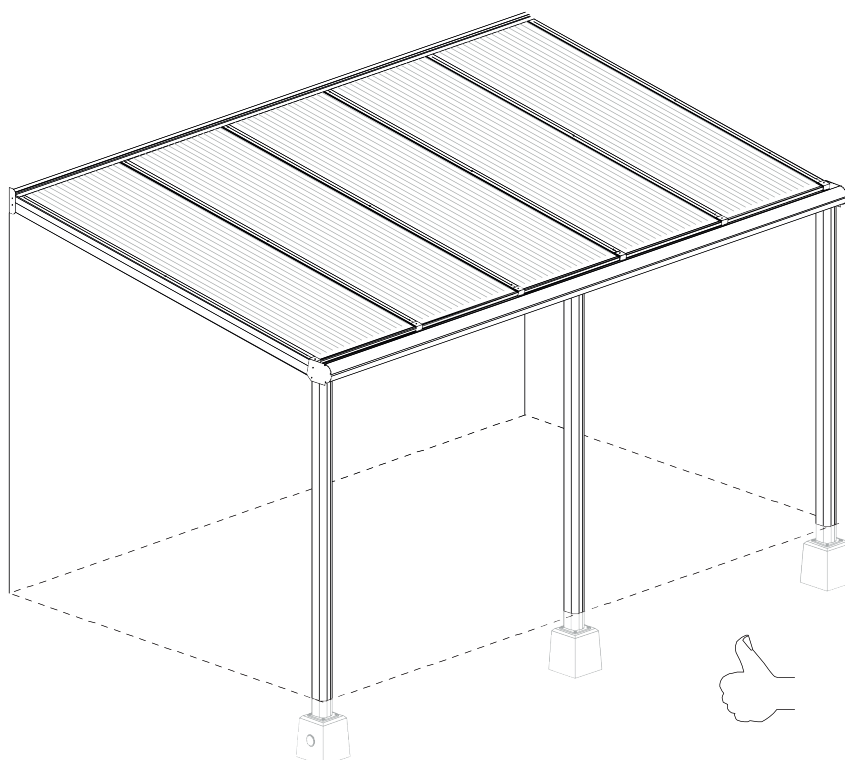
Secure the posts with the second short screw.

Step 11

Should there be a small gap between the top of the posts and the gutter, you can seal it off



Hoppa! The Bosco stands!





7. Maintenance

We recommend maintaining and cleaning this veranda at least once a year. Check whether the screws are still tight. If not: tighten them properly.

Soiled aluminium profiles and roofing sheets can be cleaned with lukewarm water and a cleaning product.

- Use a soft brush or sponge.
- Note: never use abrasives or aggressive solvents or high-pressure sprays.
- Pre-rinse and rinse with plenty of water, then wipe off with a soft cloth.

8. Disposal of waste

Dispose of the product according to local laws and regulations.

9. Warranty conditions

Warranty according to Warranty conditions and general terms and conditions of Deponti. These can be found on the website www.deponti.com.

The powder coating comes with a five-year guarantee. Please note that the powder-coating guarantee of aluminium parts is two years when the product is placed in a place where it comes into contact with salty or chemical steam (such as ports, coast and swimming pools).

10. Contact

Important: The Deponti partner is your first point of contact for questions and comments.



CE

1231

Deponti
Rijnstraat 20a
5347KN Oss
NL
25
1231-CPR-1090-1-2410-D-344

EN 1090-1:2009/A1:2011

DPT
Bosco, Giallo, Pigato, Ribolla
Canopy

Declared properties:

Tolerances on geometrical data:	EN 1090-3
Weldability:	NPD
Fracture toughness:	NPD
Reaction to fire:	A2 - s1, d0
Release of cadmium:	NPD
Emission of radioactivity:	NPD
Durability:	NPD

Structural characteristics:

Load bearing capacity: Load chart acc. to Eurocode 0, 1, 9

Deformation at serviceability limit state: Acc. to maximum load charts

Fatigue strength: NPD

Resistance to fire: NPD

Manufacturing: 1090-3, EXC2

NPD = No Performance Declared